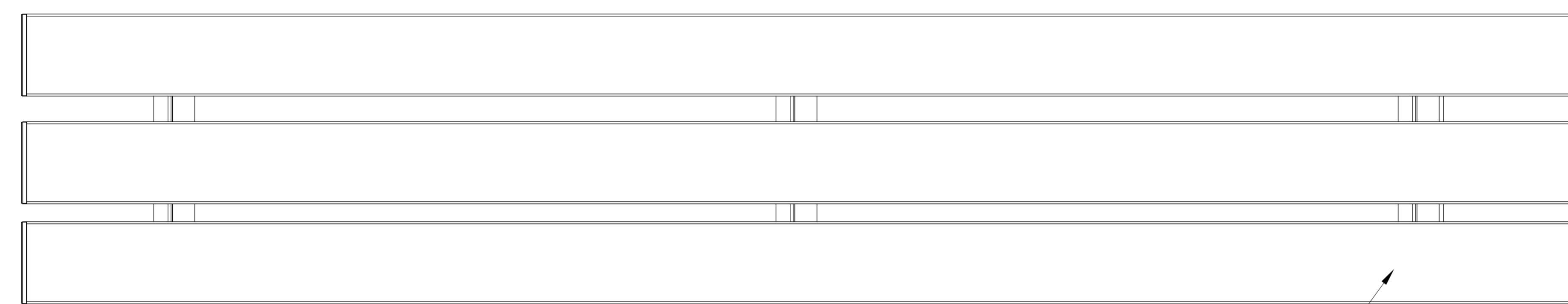


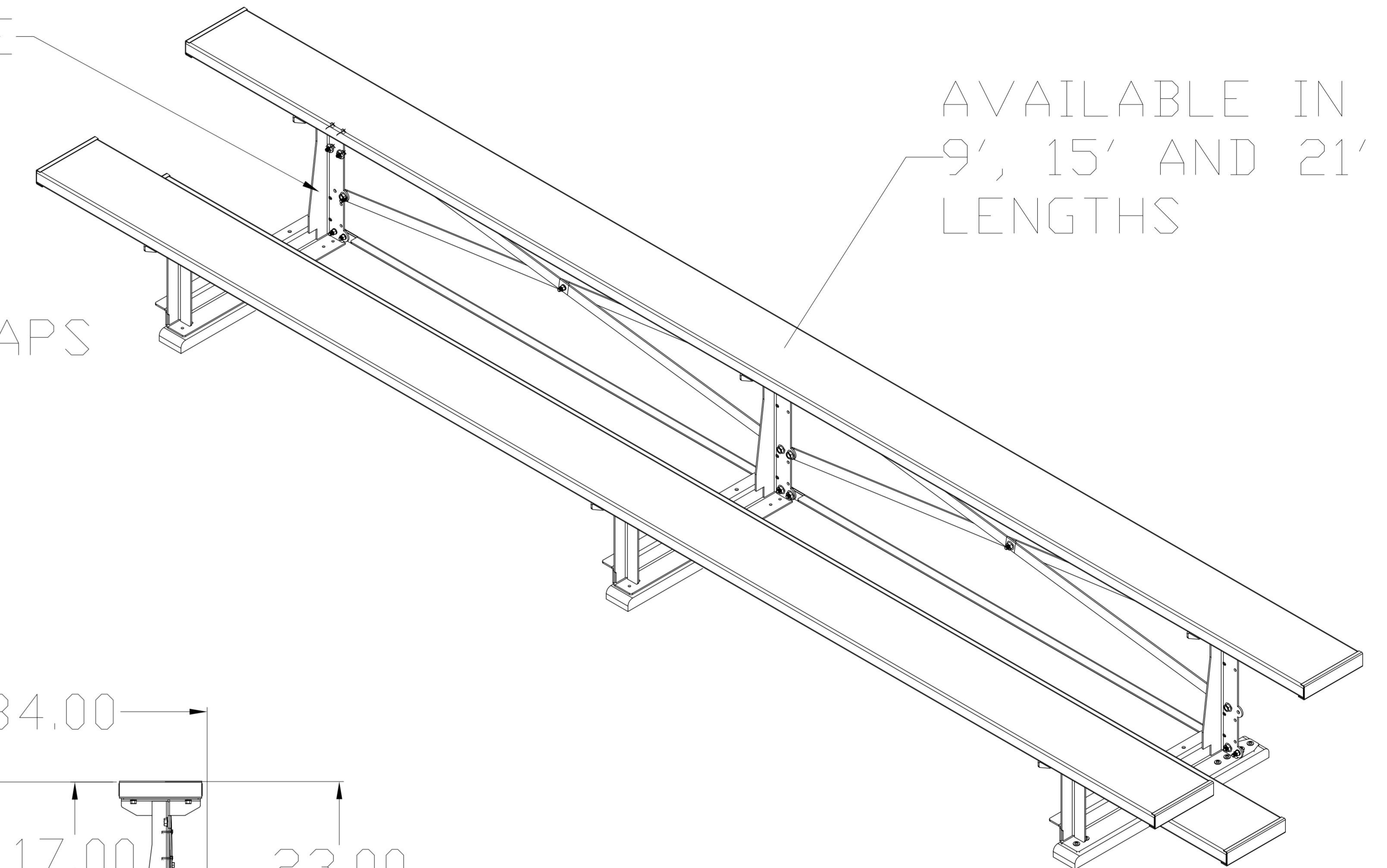
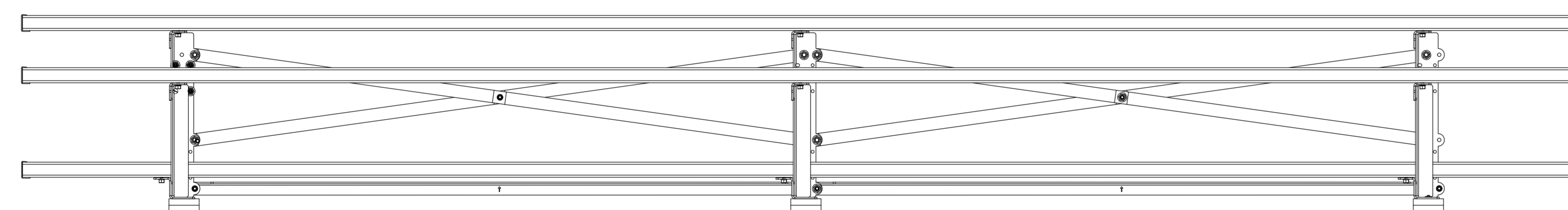
FIRST TEAM SPORTS INC.
HUTCHINSON, KS 67501
1-800-649-3688
www.firstteaminc.com

FT FANSTAND 2 ROW OUTDOOR BLEACHER
PRODUCT SUBMITTAL

BLACK POWDER COATED STEEL FRAME

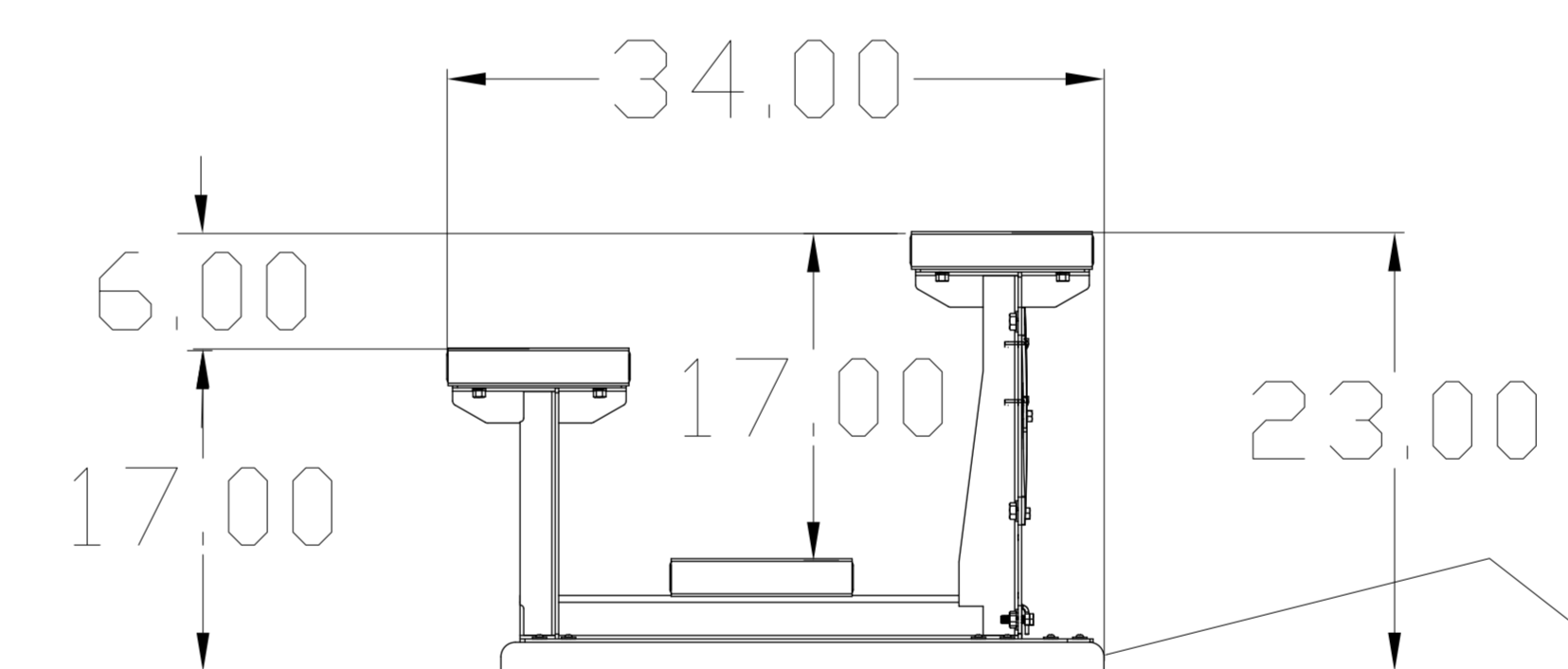


9.5" WIDE CLEAR ANODIZED ALUMINUM PLANKS



AVAILABLE IN
9', 15' AND 21'
LENGTHS

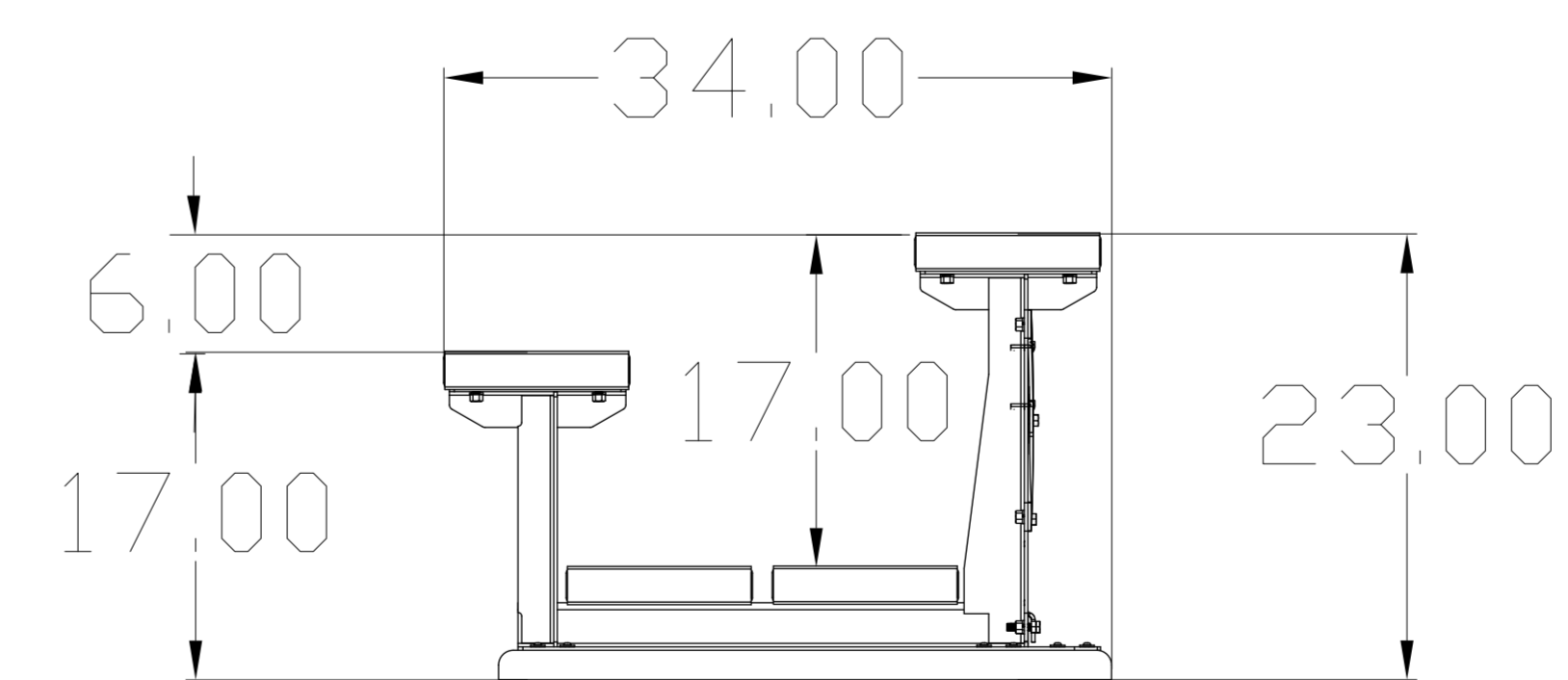
ALUMINUM END CAPS



SINGLE FOOTPLANK OPTION

TREATED
2X4 WOOD
RUNNERS

CUSTOM COLORED PLANKS AVAILABLE UPON
REQUEST FOR AN ADDITIONAL CHARGE



DOUBLE FOOTPLANK OPTION