

FIRST TEAM SPORTS INC.
HUTCHINSON, KS 67501

1-800-649-3688

www.firstteaminc.com

HURRICANE PORTABLE BASKETBALL GOAL
PRODUCT SUBMITTAL

UNIT ADJUSTABLE FROM 10'
TO 6' 6" IN 6" INCREMENTS

RIM IS FT196 FULL
TILT 180 DEG BREAKAWAY

BACKBOARD IS TEMPERED GLASS
FT235 42"x72"

DIRECT MOUNT GOAL ATTACHMENT

4" SQ TUBE

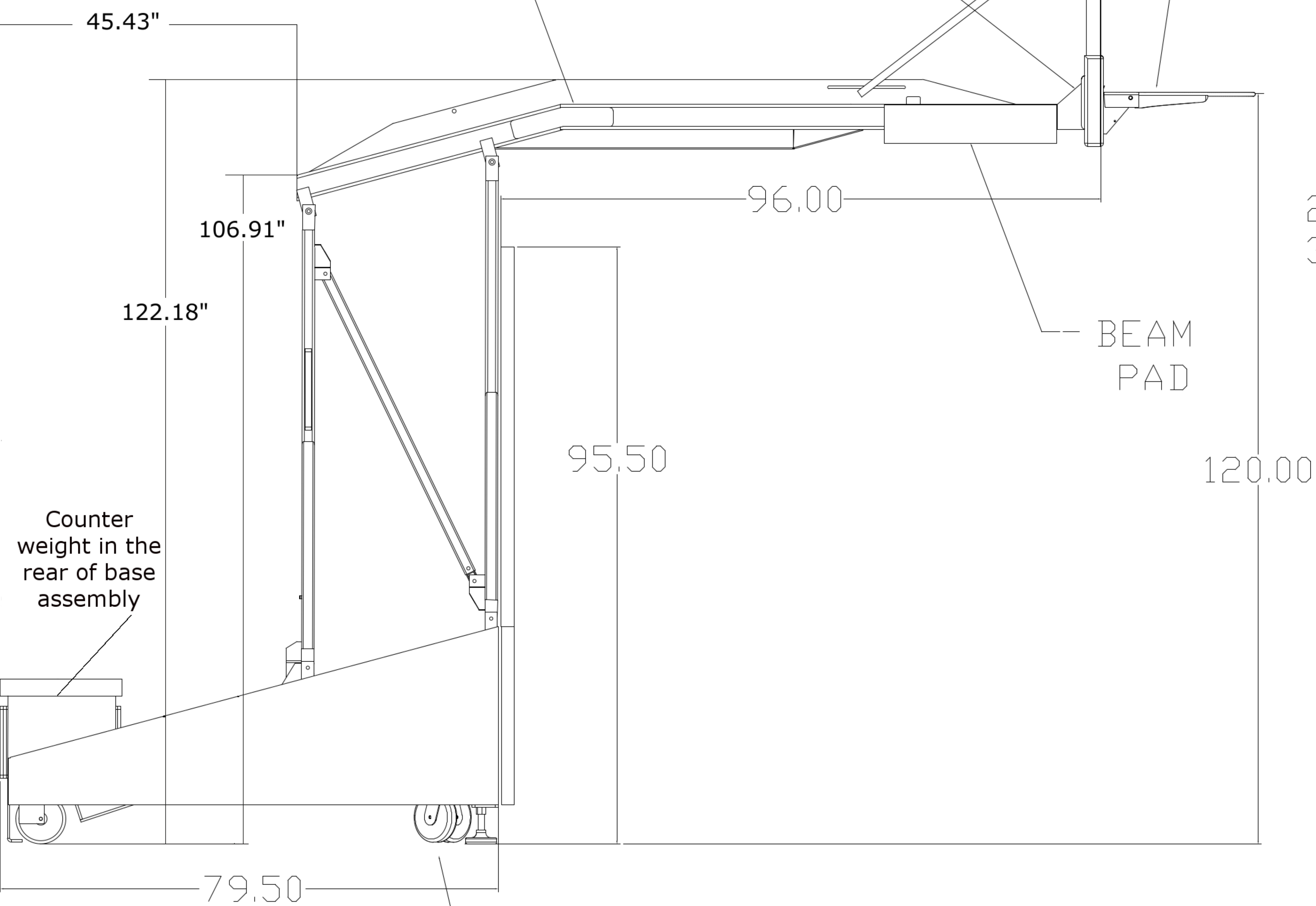
FT72C BACKBOARD
SAFETY PAD

2" PROTECTIVE
PADS
COVER FRONT AND
SIDES OF UNIT

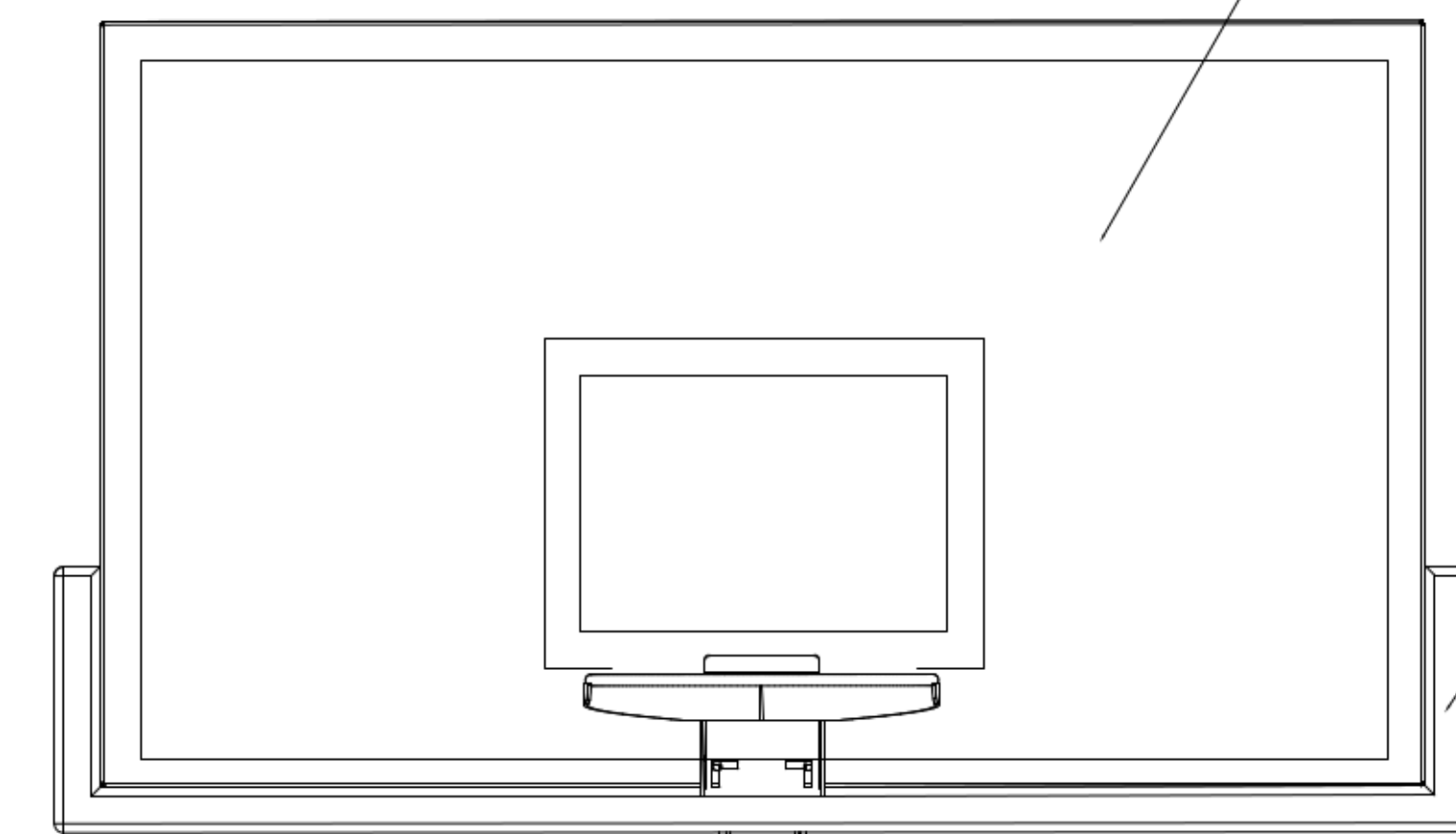
UNIT SHOWN
IN STORAGE POSITION

2" X 5" X
3/16" REC
TUBE

BEAM
PAD

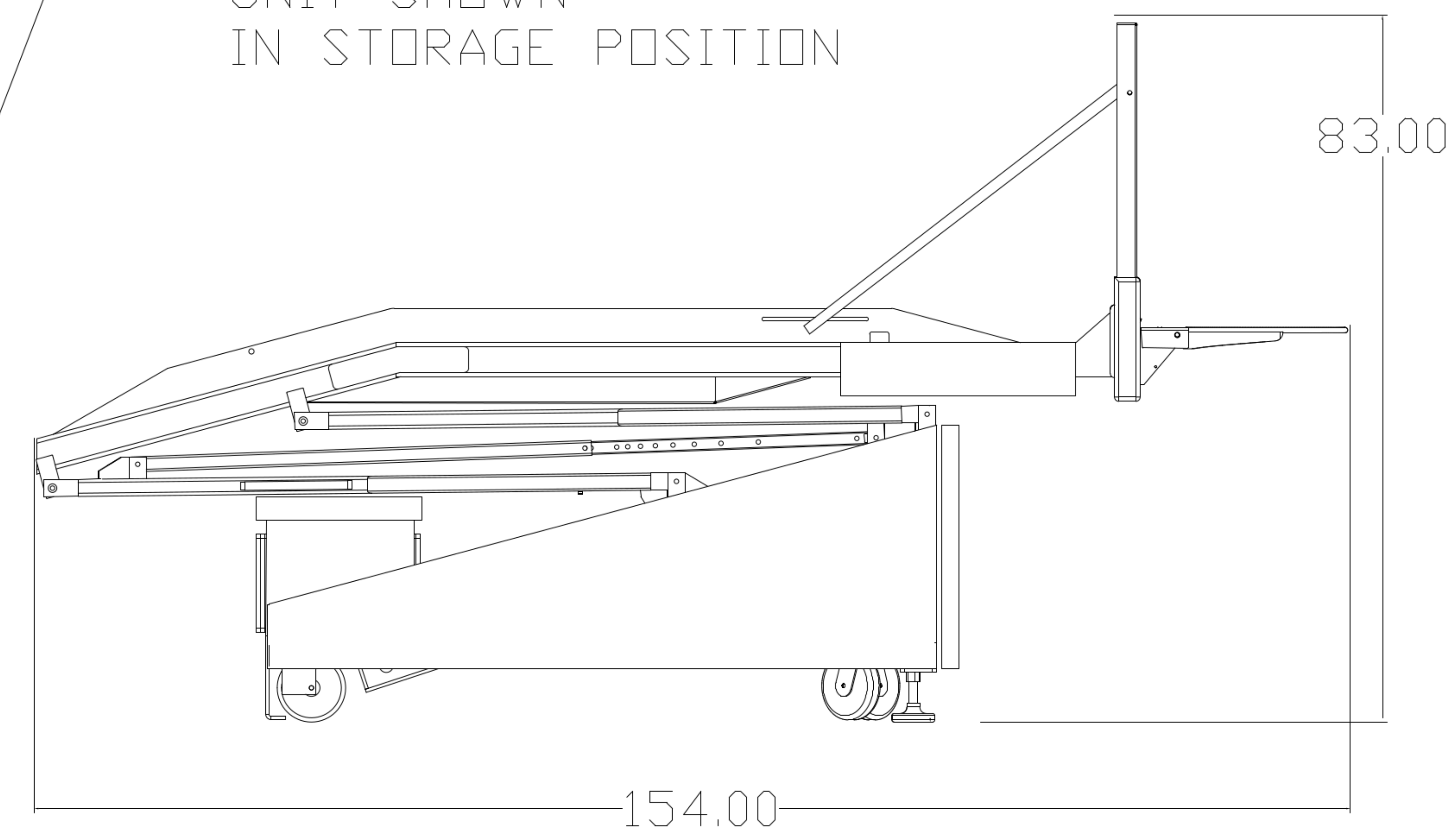


8" X 2" NON MARKING
POLYURETHANE WHEELS



52.00

5" NON MARKING FOOT PADS LOCK UNIT INTO PLAY POSITION



83.00

154.00