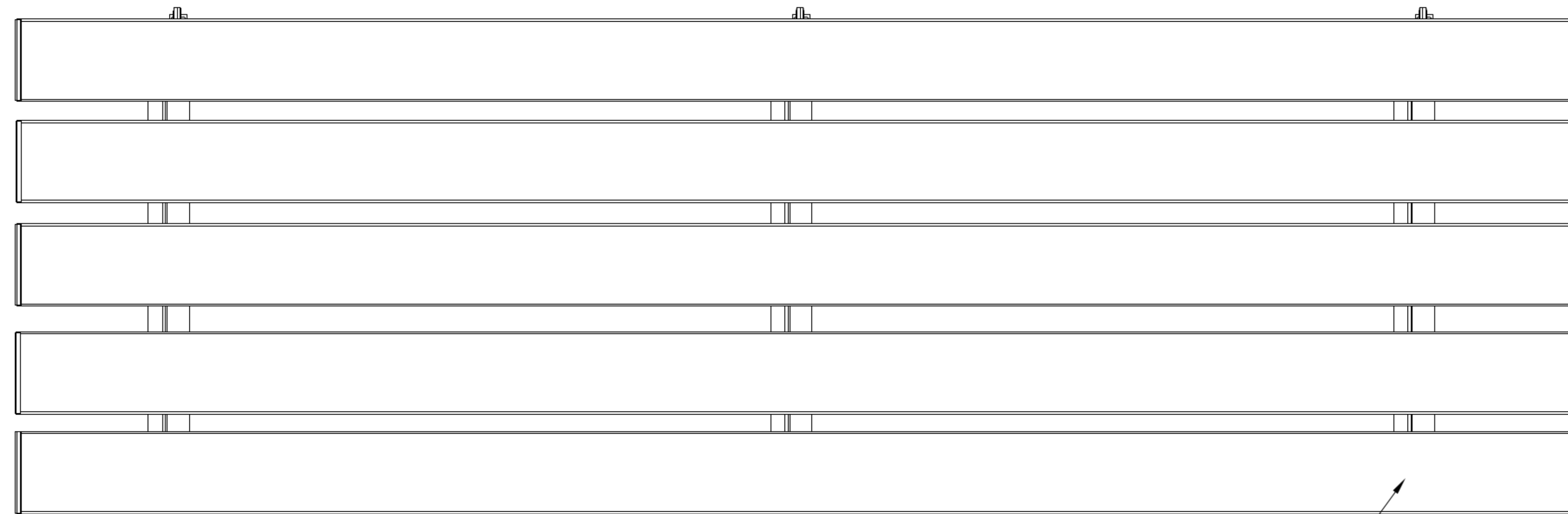


FIRST TEAM SPORTS INC.
HUTCHINSON, KS 67501
1-800-649-3688
www.firstteaminc.com

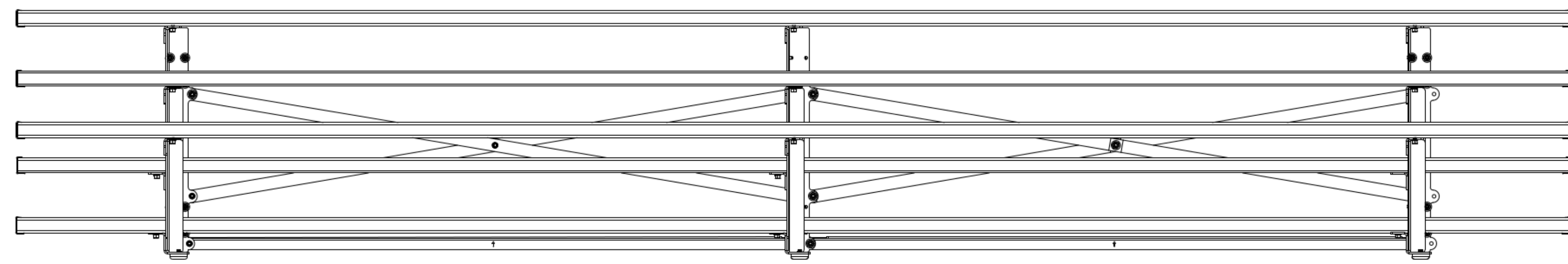
FAN3-1FP-TNR-15
TIP-IN-ROLL BLEACHER
PRODUCT SUBMITTAL

BLACK POWDER COATED STEEL FRAME

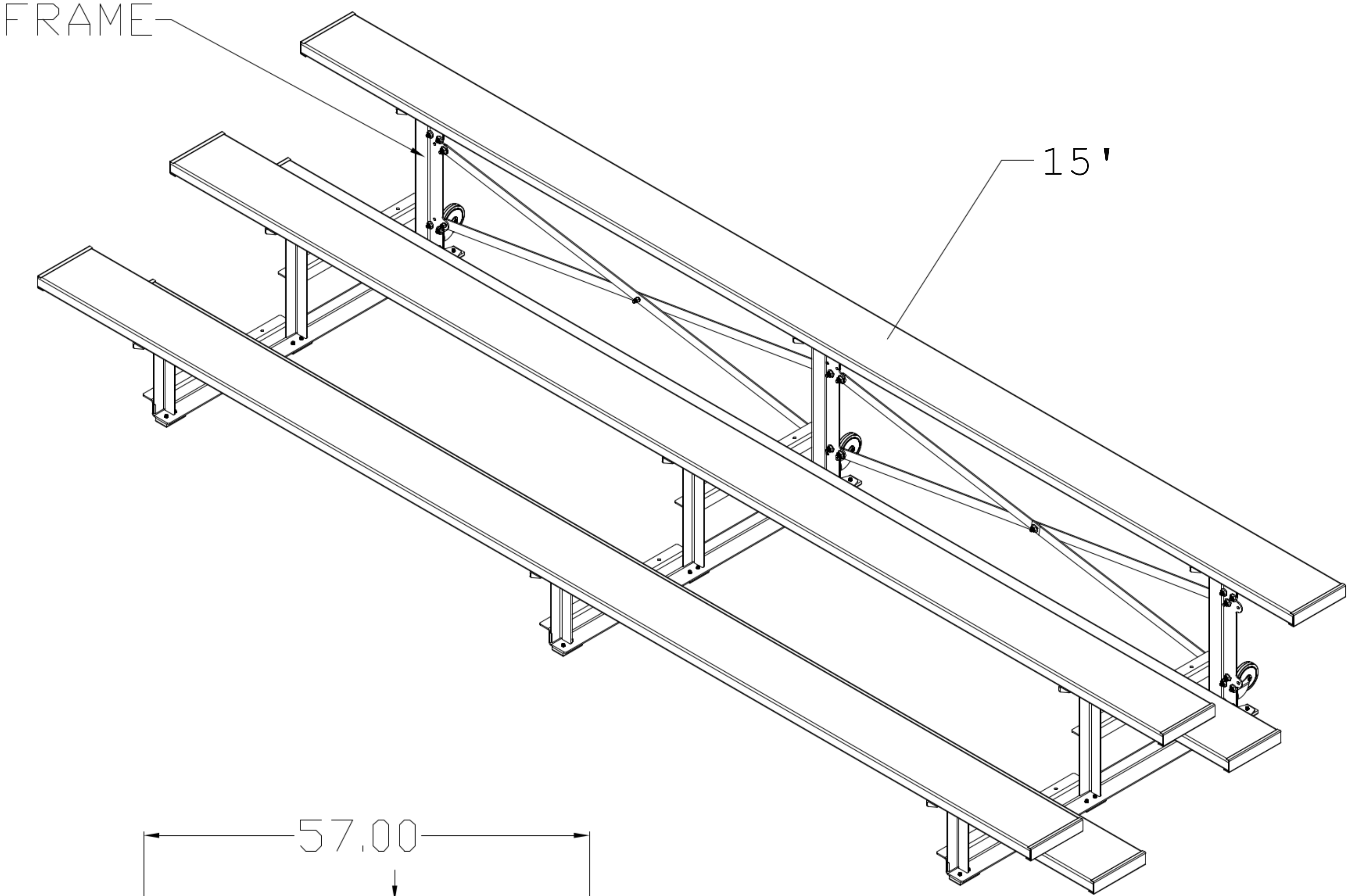


ALUMINUM END CAPS

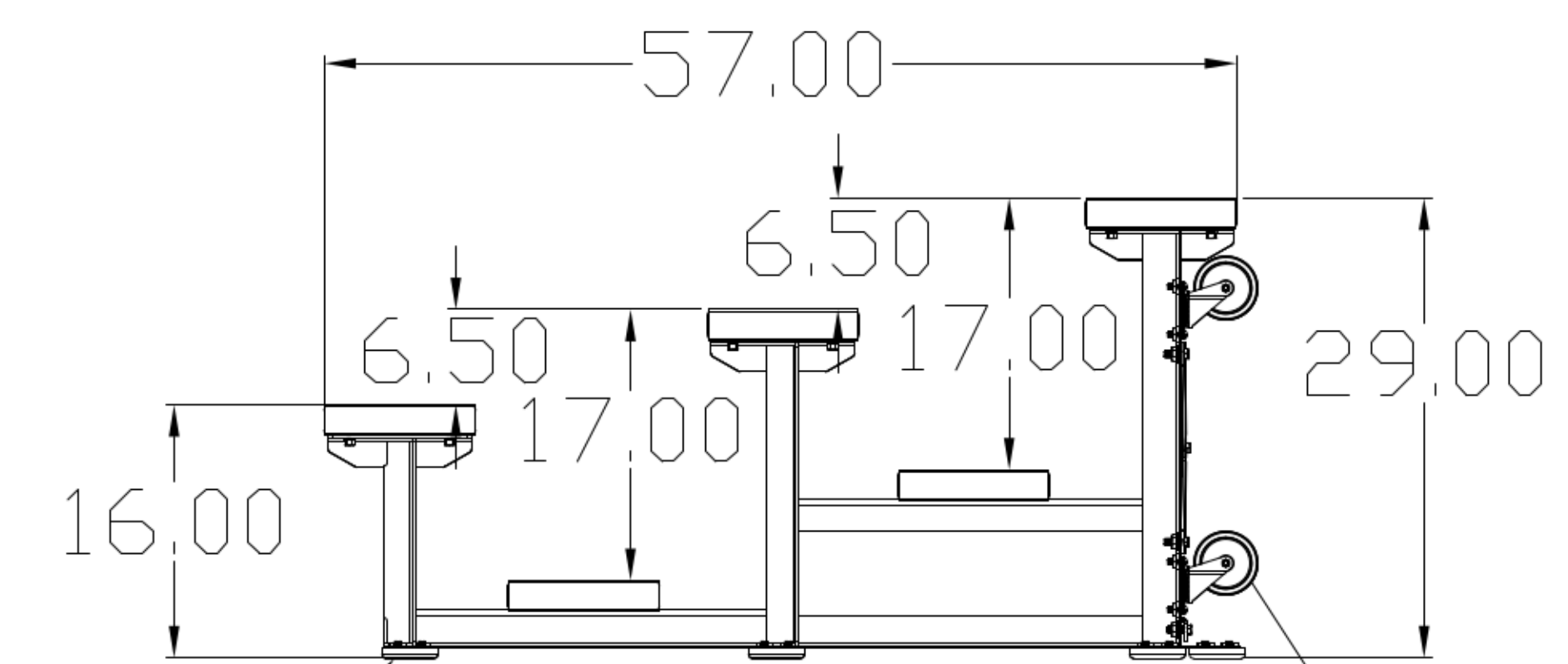
9.5" WIDE CLEAR ANODIZED ALUMINUM PLANKS



NON MARKING RUBBER FOOTPADS



15'



4" WHEELS

SINGLE FOOTPLANK OPTION

CUSTOM COLORED PLANKS AVAILABLE UPON
REQUEST FOR AN ADDITIONAL CHARGE