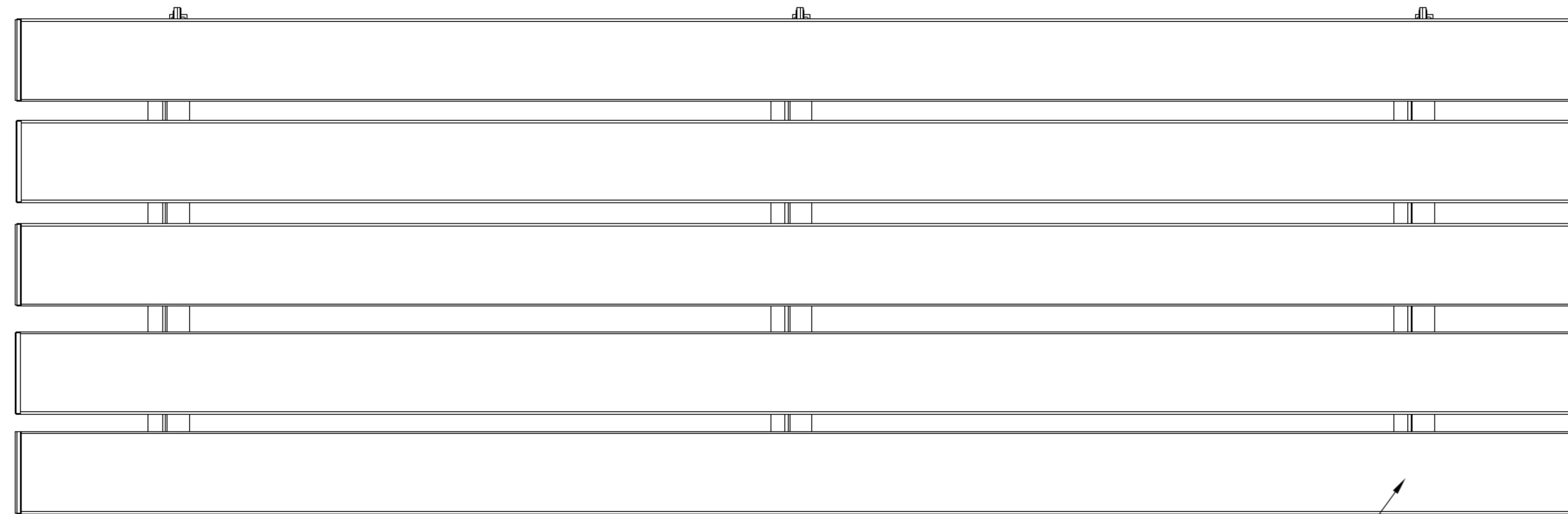


FIRST TEAM SPORTS INC.  
HUTCHINSON, KS 67501  
1-800-649-3688  
www.firstteaminc.com

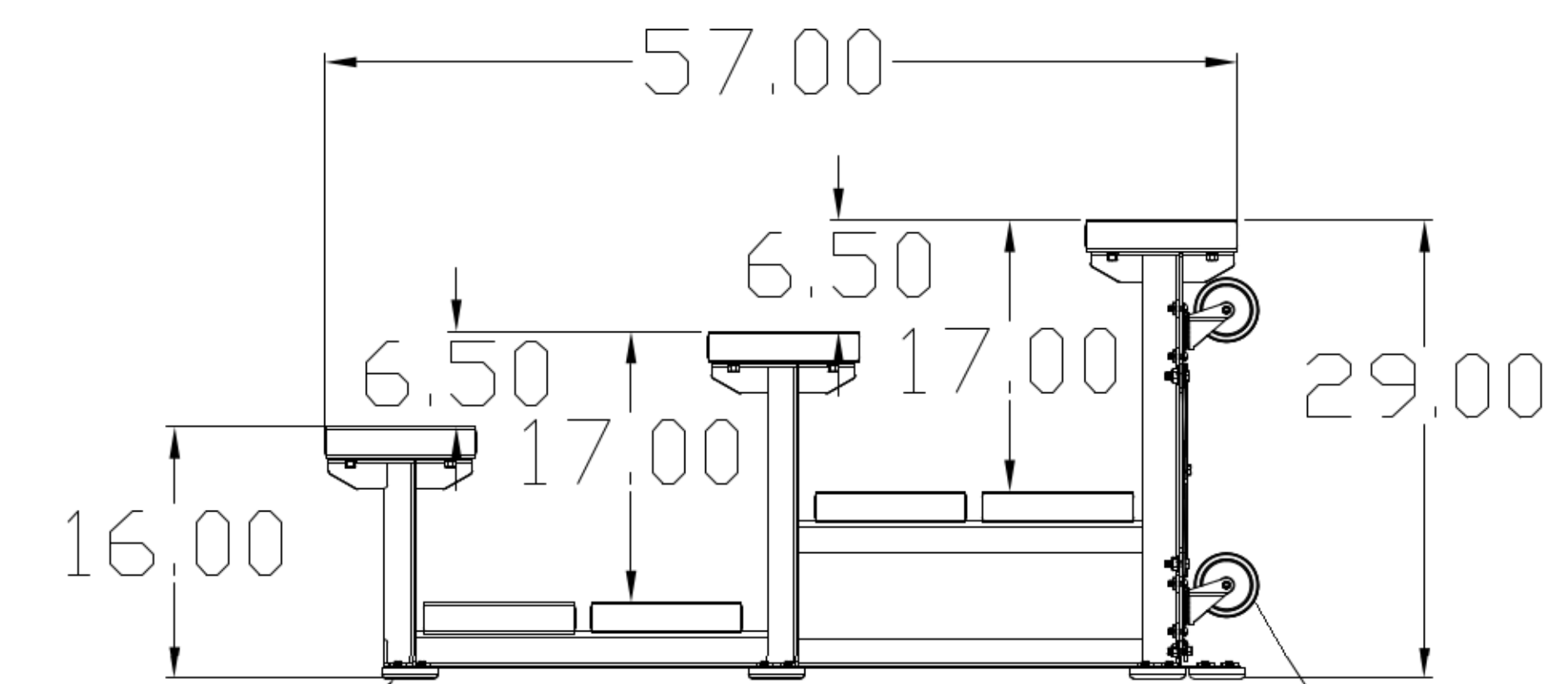
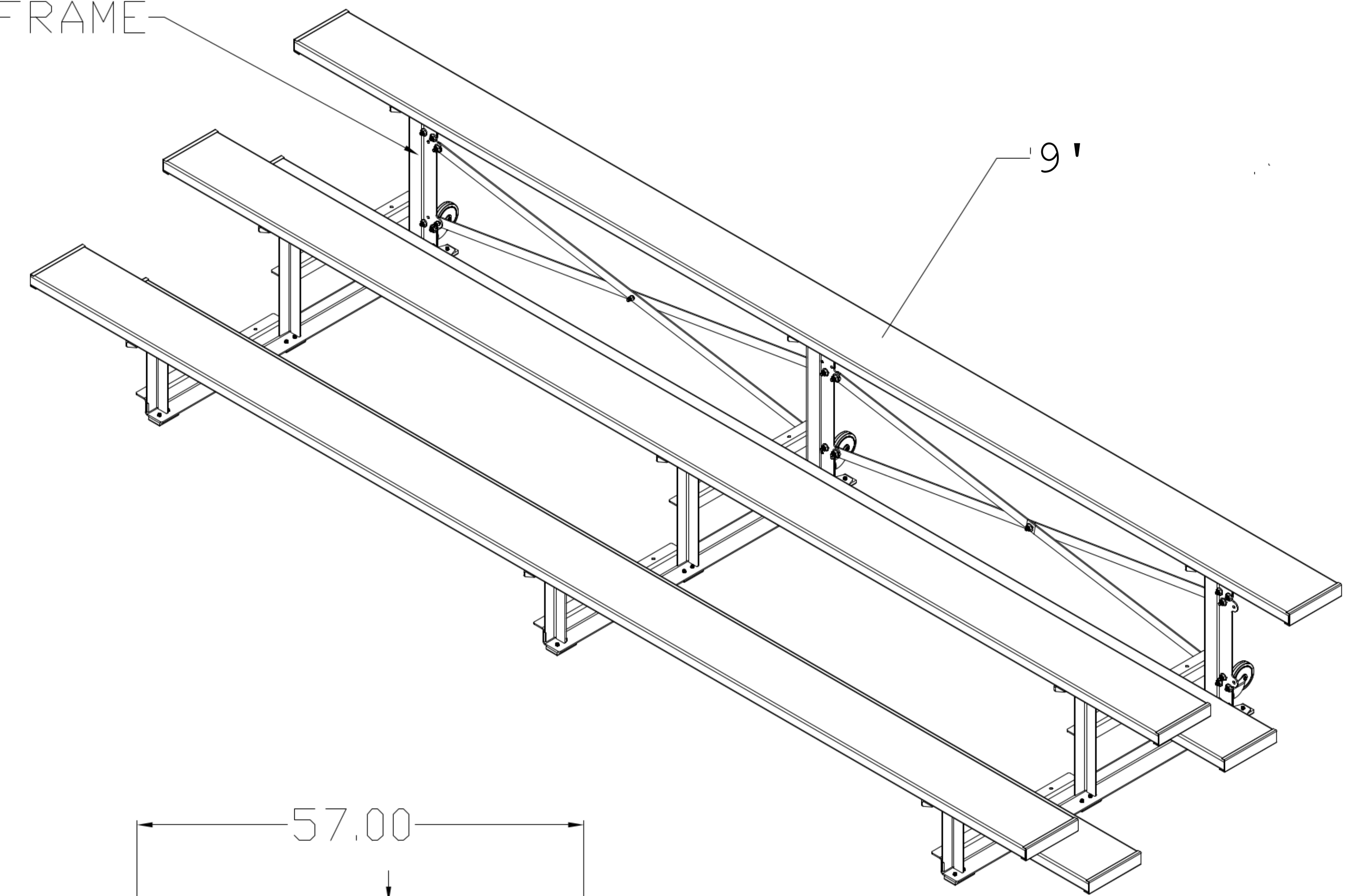
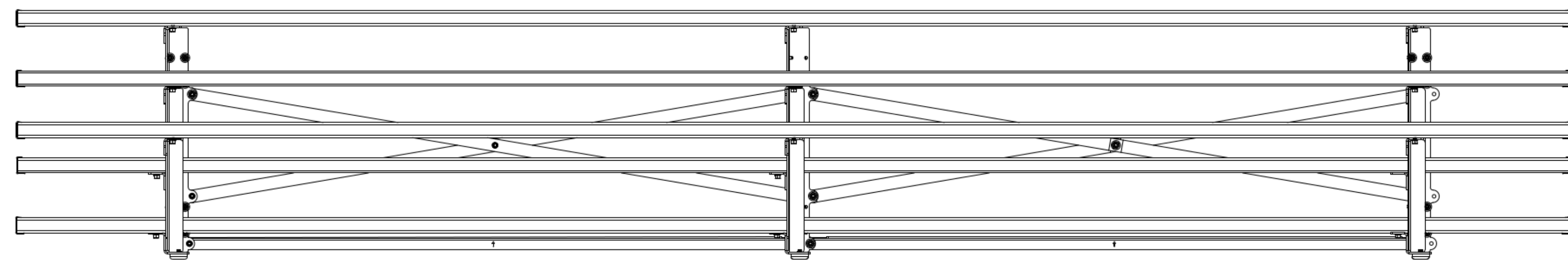
FAN3-2FP-TNR-9  
TIP-IN-ROLL BLEACHER  
PRODUCT SUBMITTAL

BLACK POWDER COATED STEEL FRAME



ALUMINUM END CAPS

9.5" WIDE CLEAR ANODIZED ALUMINUM PLANKS



NON MARKING RUBBER FOOTPADS

4" WHEELS

DOUBLE FOOTPLANK OPTION

CUSTOM COLORED PLANKS AVAILABLE UPON  
REQUEST FOR AN ADDITIONAL CHARGE