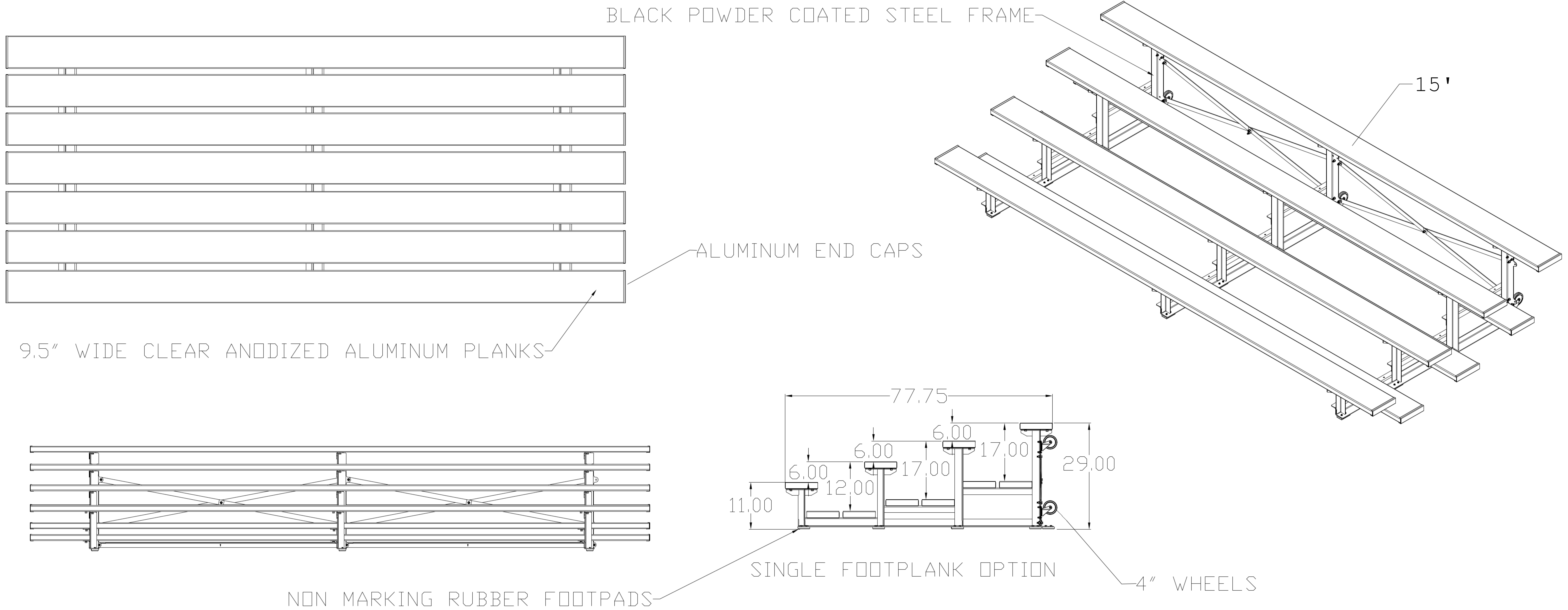


FIRST TEAM SPORTS INC.
HUTCHINSON, KS 67501
1-800-649-3688
www.firstteaminc.com

FAN4-2FP-TNR-15
TIP-IN-ROLL BLEACHER
PRODUCT SUBMITTAL



CUSTOM COLORED PLANKS AVAILABLE UPON
REQUEST FOR AN ADDITIONAL CHARGE

DOUBLE FOOTPLANK OPTION