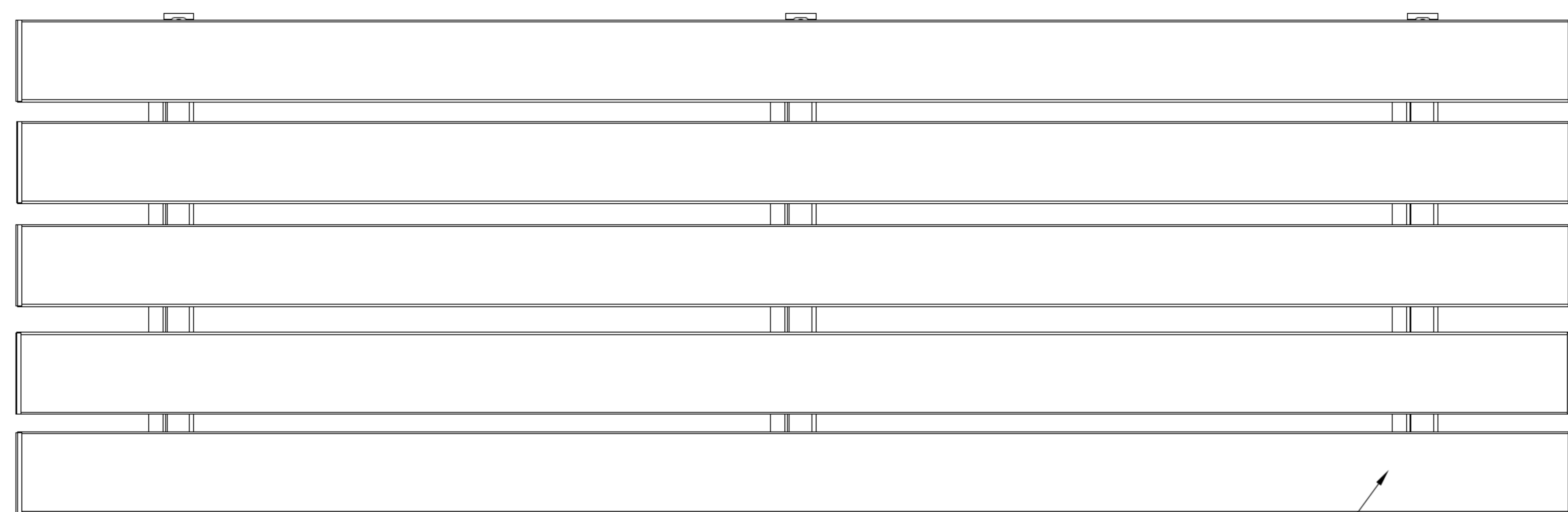


FIRST TEAM SPORTS INC.
HUTCHINSON, KS 67501
1-800-649-3688
www.firstteaminc.com

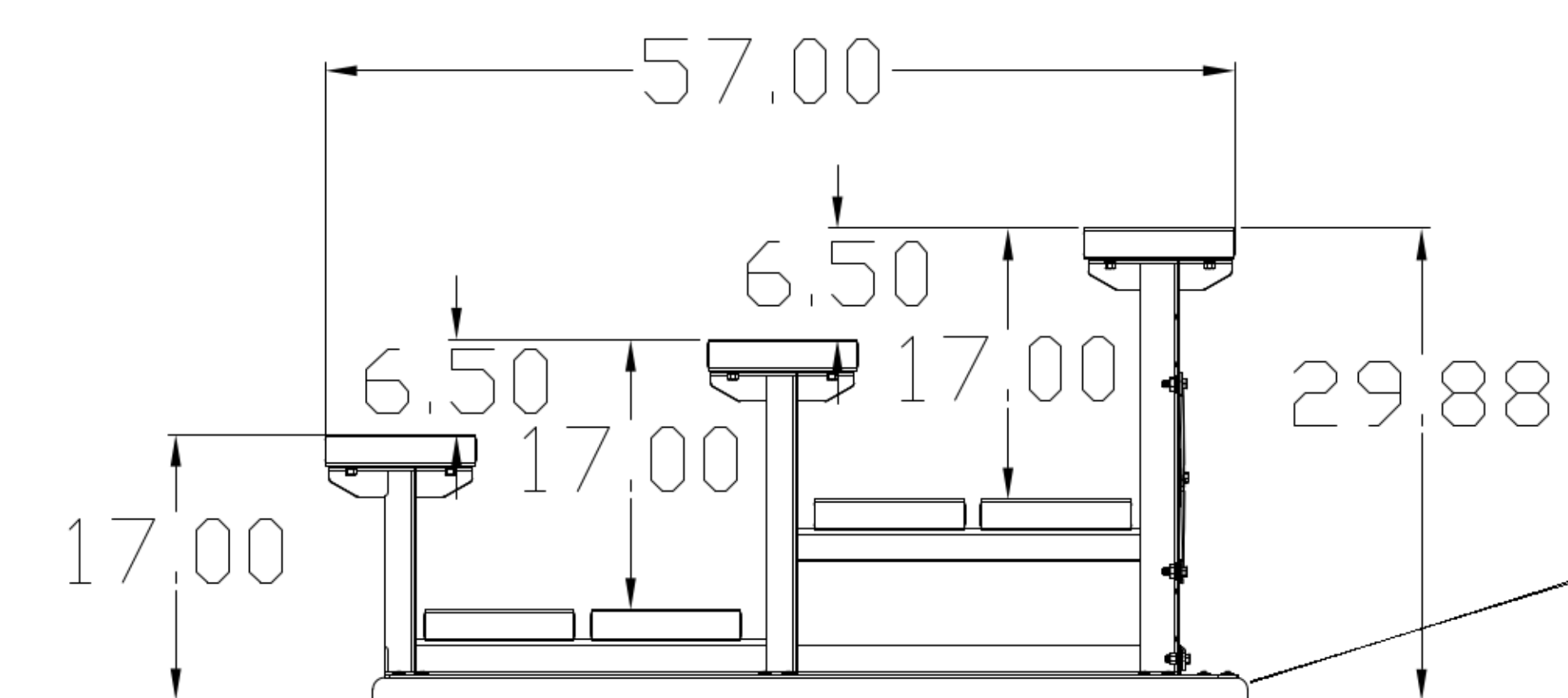
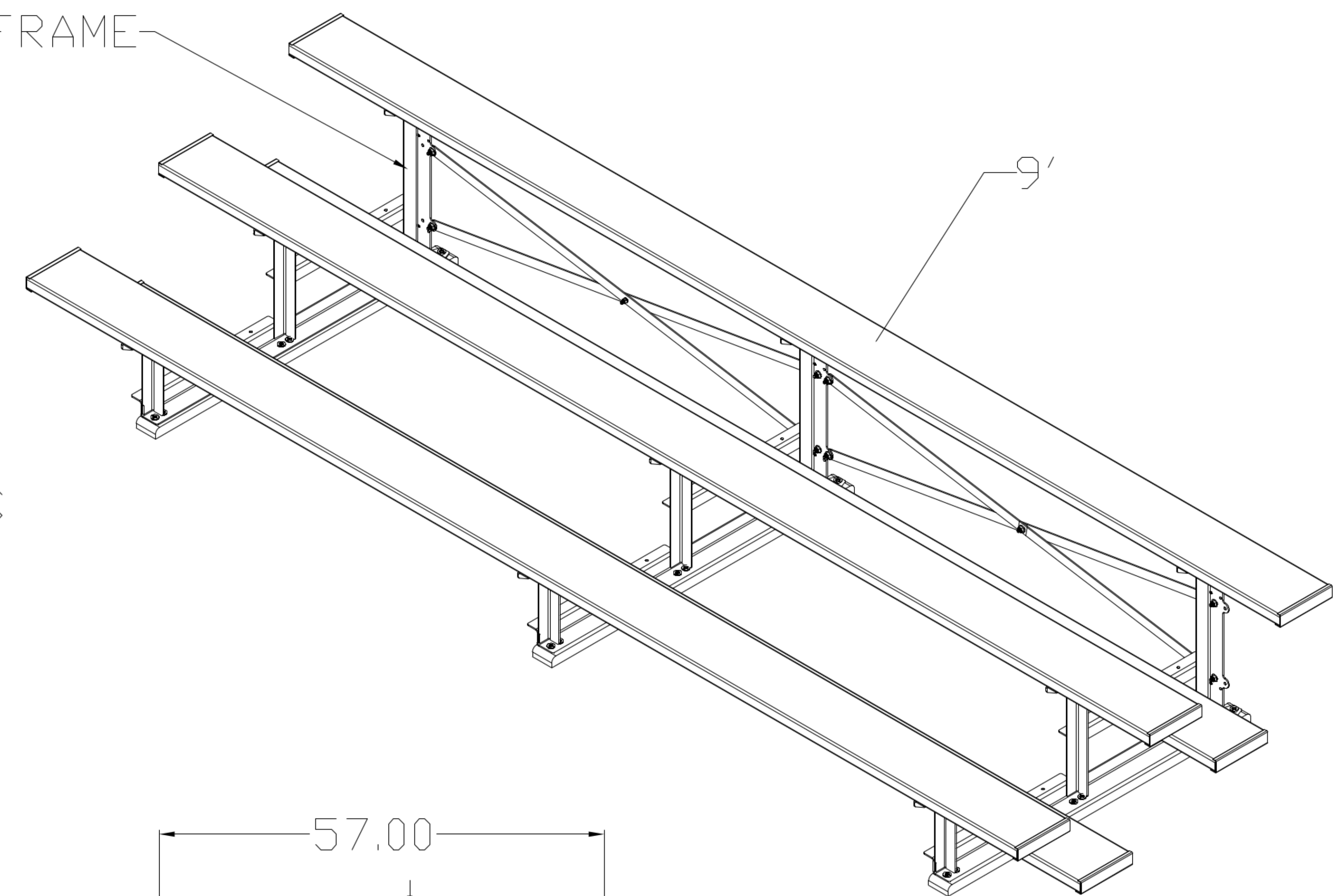
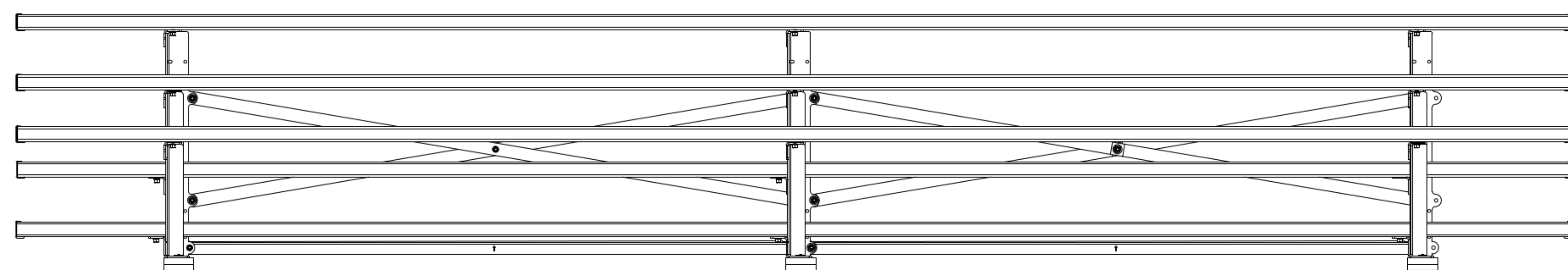
FAN3-2FP-9
PRODUCT SUBMITTAL

BLACK POWDER COATED STEEL FRAME



ALUMINUM END CAPS

9.5" WIDE CLEAR ANODIZED ALUMINUM PLANKS



DOUBLE FOOTPLANK OPTION

TREATED
2X4 WOOD
RUNNERS

CUSTOM COLORED PLANKS AVAILABLE UPON
REQUEST FOR AN ADDITIONAL CHARGE