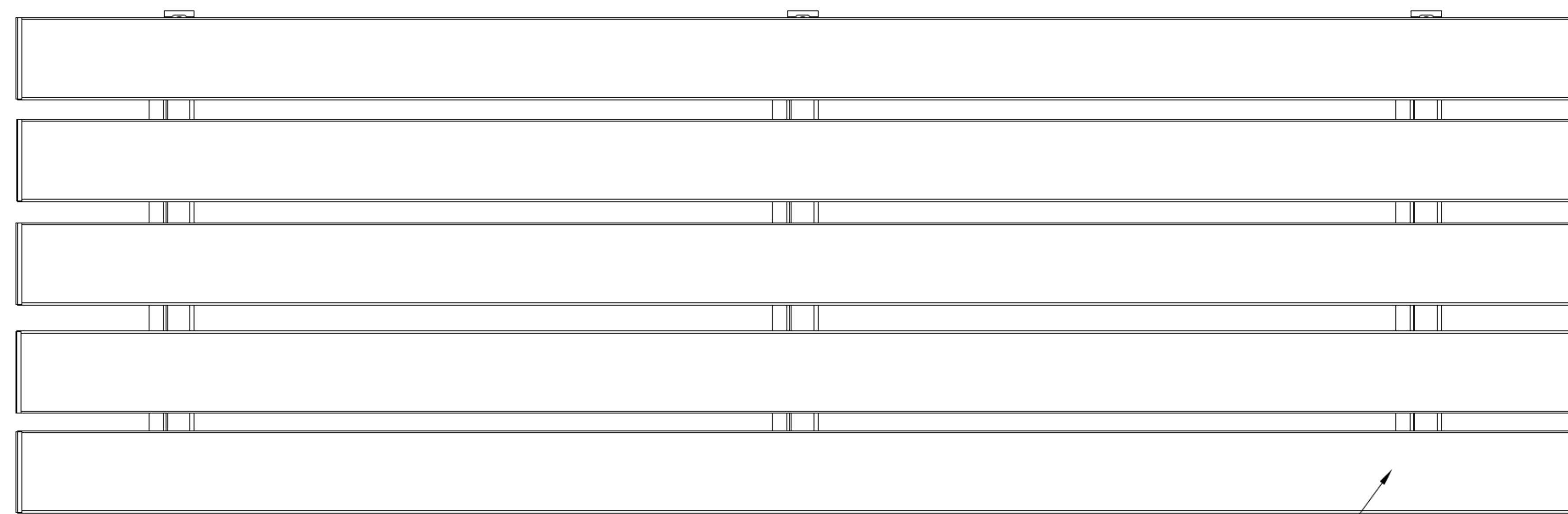


FIRST TEAM SPORTS INC.
HUTCHINSON, KS 67501
1-800-649-3688
www.firstteaminc.com

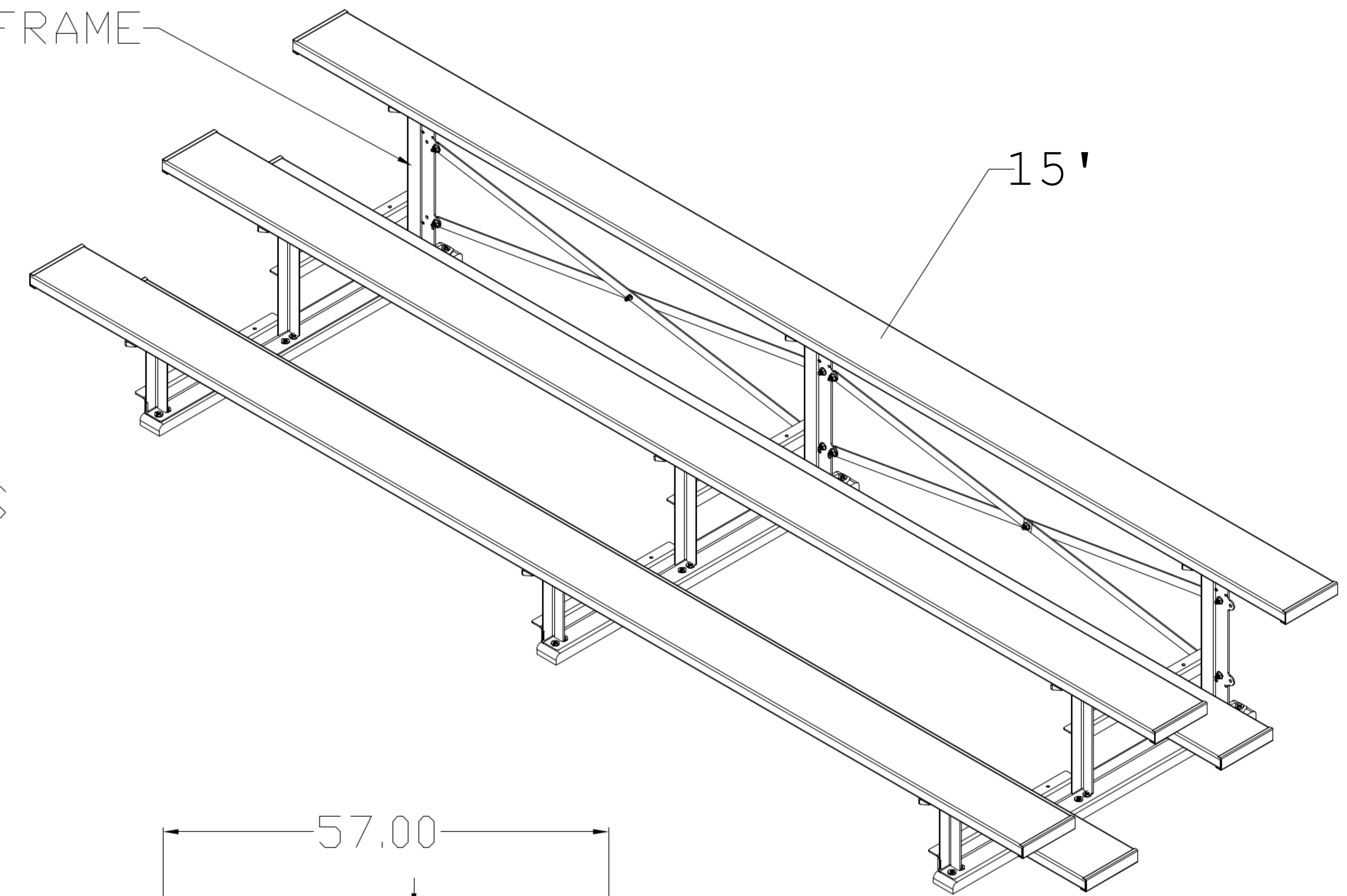
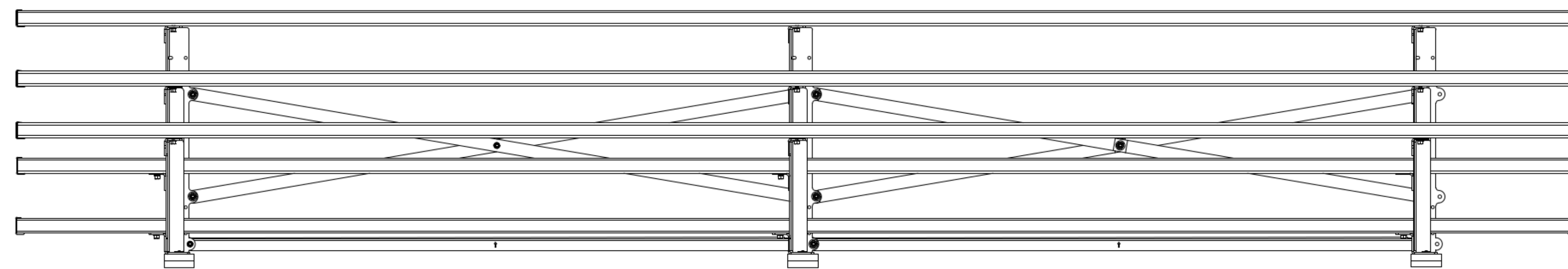
FAN3-2FP-15
PRODUCT SUBMITTAL

BLACK POWDER COATED STEEL FRAME

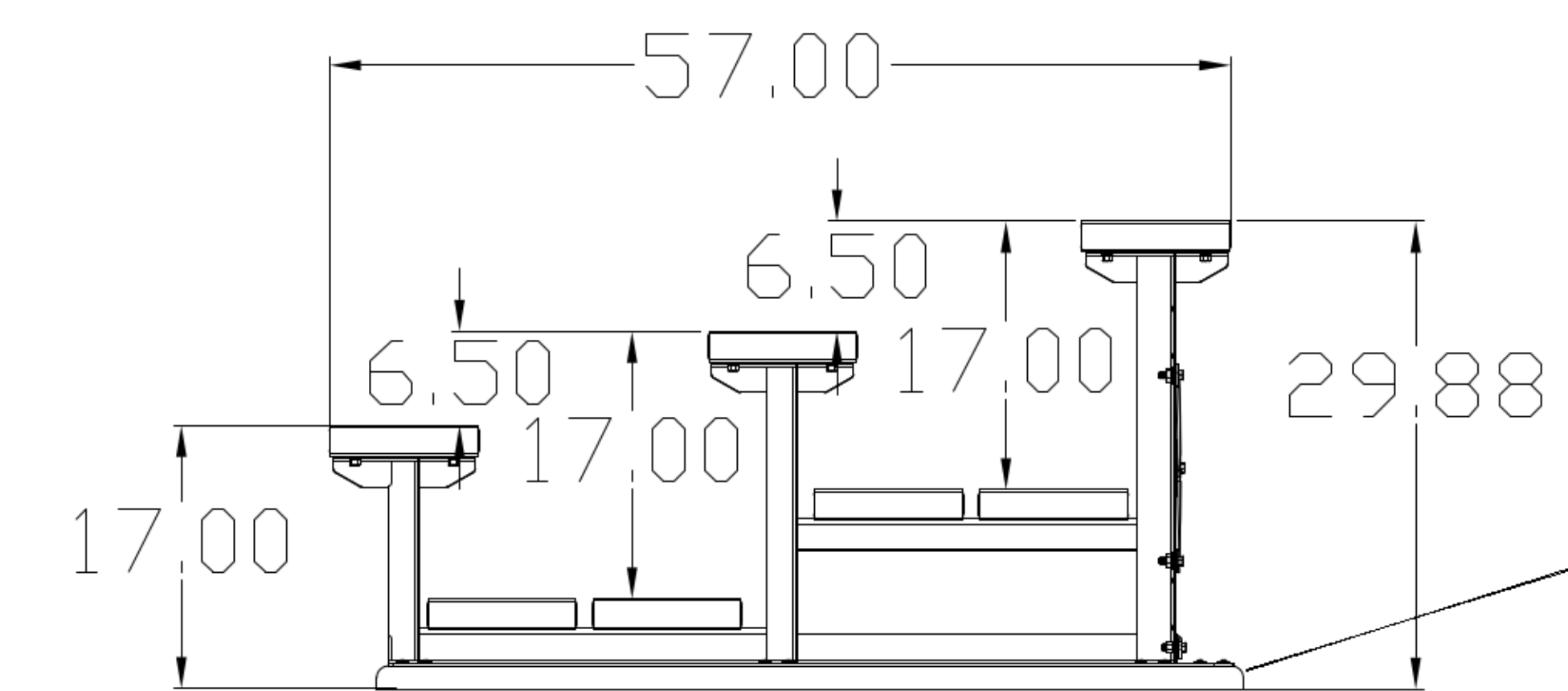


ALUMINUM END CAPS

9.5" WIDE CLEAR ANODIZED ALUMINUM PLANKS



15'



DOUBLE FOOTPLANK OPTION

TREATED
2X4 WOOD
RUNNERS

CUSTOM COLORED PLANKS AVAILABLE UPON
REQUEST FOR AN ADDITIONAL CHARGE