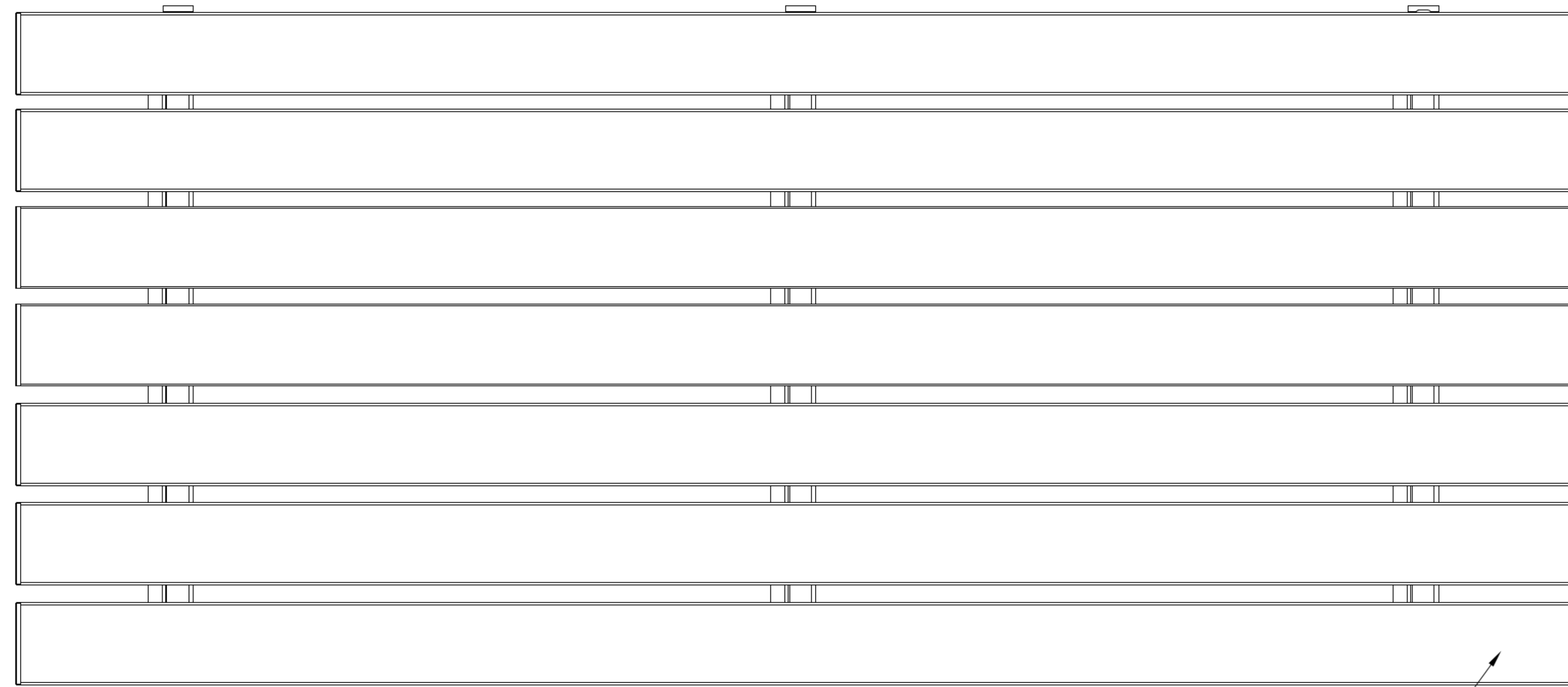


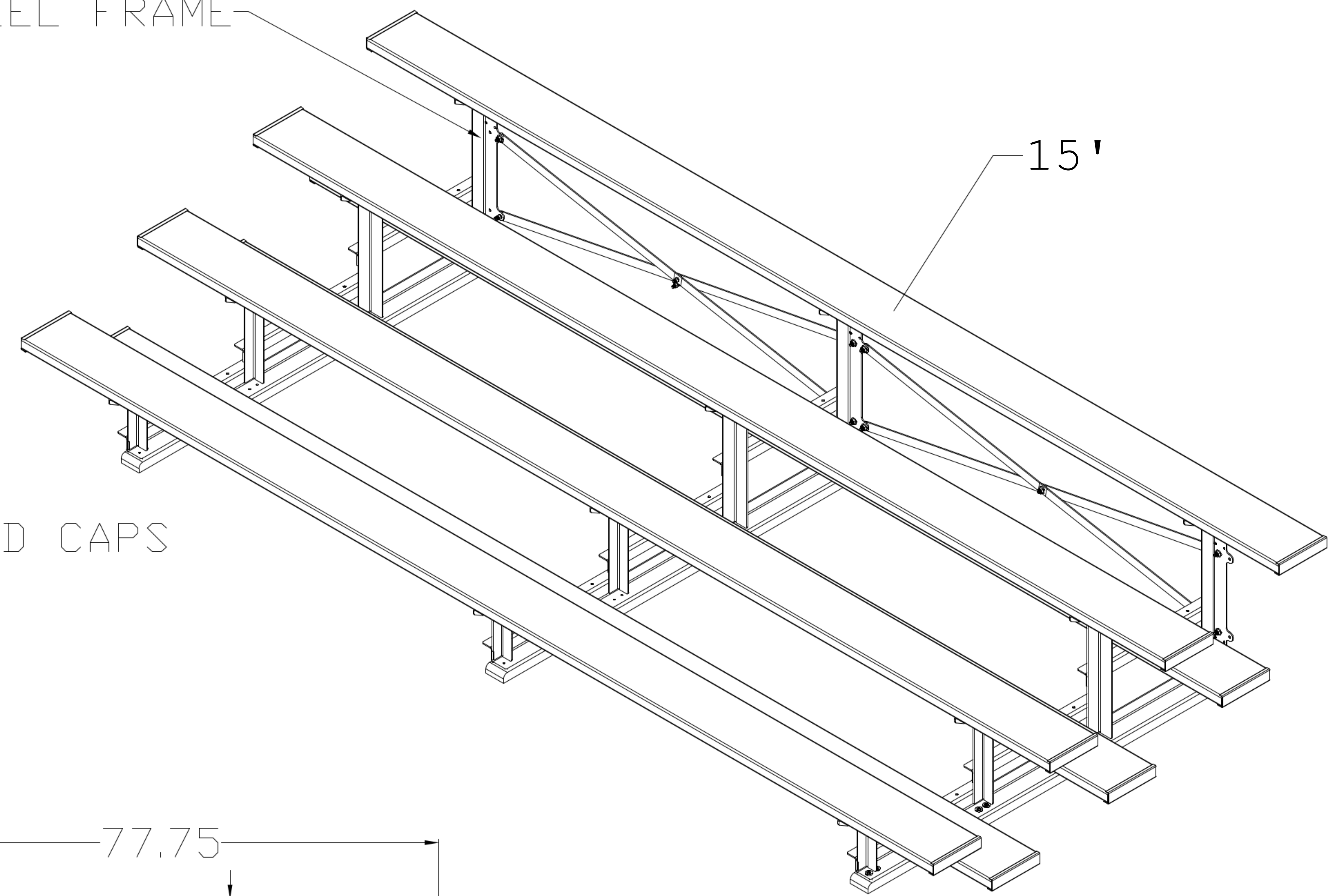
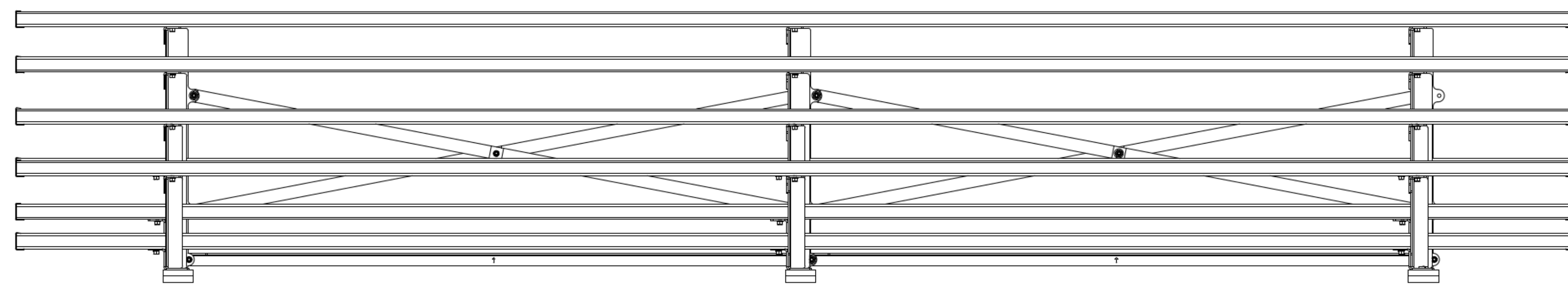
FIRST TEAM SPORTS INC.  
HUTCHINSON, KS 67501  
1-800-649-3688  
www.firstteaminc.com

FAN4-1FP-15  
PRODUCT SUBMITTAL

BLACK POWDER COATED STEEL FRAME

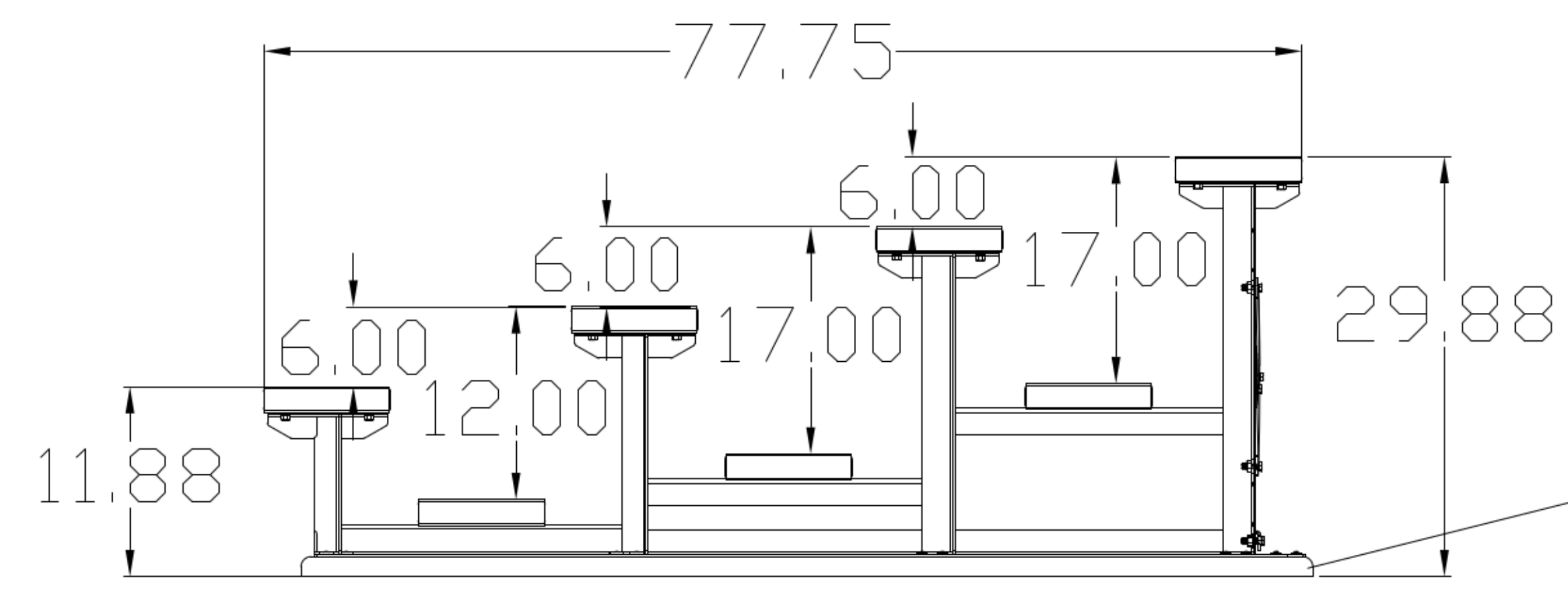


9.5" WIDE CLEAR ANODIZED ALUMINUM PLANKS



15'

ALUMINUM END CAPS



SINGLE FOOTPLANK OPTION

TREATED  
2X4 WOOD  
RUNNERS

CUSTOM COLORED PLANKS AVAILABLE UPON  
REQUEST FOR AN ADDITIONAL CHARGE