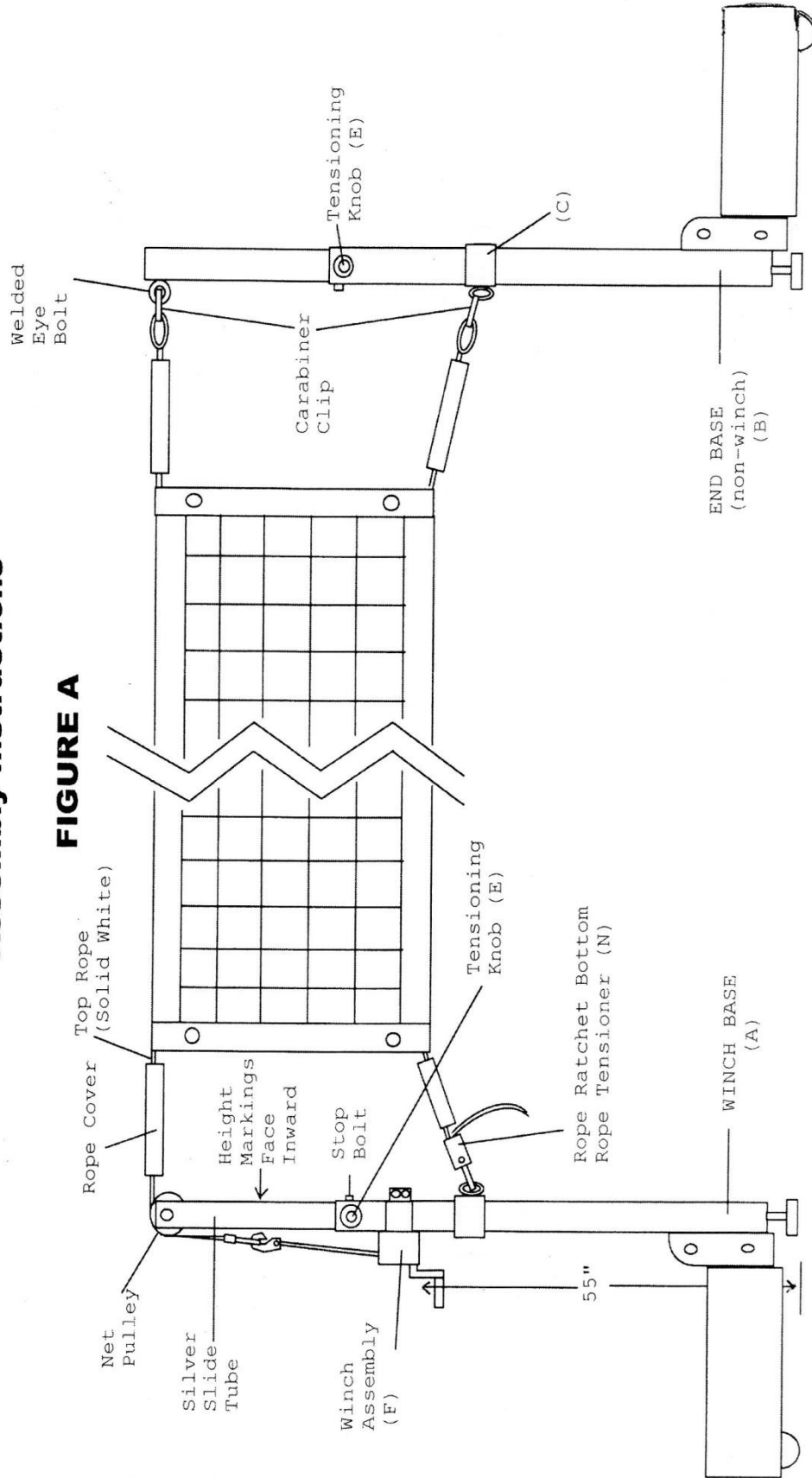


# FIRST TEAM SPORTS, INC.

## Horizon Portable Volleyball Systems

### Assembly Instructions

**FIGURE A**



# First Team Sports, Inc.

## Horizon Portable Volleyball Systems

(rev. 09/03/2020)

### BILL OF MATERIALS

A	1	Winch Base	J	1	Top Net Attachment Eye-Bolt
B	1	End Base (non-winch)	K	1	5/16" Flatwasher
C	2	<b>D-Ring Strap</b>	L	1	5/16" Lockwasher
D	2	Base Padding	M	1	5/16" Hex Nut
E	2	Tensioning Knob	N	1	Rope Tensioner(150 lb. Load)
F	1	Winch Assembly	O	2	Carabiner Clips
G	1	Competition Volleyball Net	P	2	Post Padding
H	1	Set of (4) Rope Covers	Q	2	Height Labels
I	1	Set of (2) Volleyball Antennas	R	4	Net Tensioner (75 lb. Load)

**NOTE: The above bill of materials applies to the volleyball system itself. Additional components may be included with your order such as judges stand. Bill of materials and installation instructions are included with any additional products provided with your order.**

**Inspect all contents prior to installation. Report any missing parts to First Team customer service immediately, 1-888-884-6677.**

**READ ALL INSTRUCTIONS BEFORE PROCEEDING!**

---

## **UPRIGHT POST ASSEMBLY**

1. There should be a set of instructions regarding transport and setup of the portable bases attached to the volleyball post on the winch base unit. Remove and read those instructions first so you understand how to raise and lower the vertical post.

**Note: There is a compression spring shipped inside each of the uprights. The units are shipped under tension. Use extreme caution when first removing the tensioning bolt on each post. Always use caution when extending and retracting telescoping uprights.**

2. Locate and identify the “Winch Base” and the “End Base.” The Winch Base is the one with the upright that has a round pulley wheel attached to the top. The End Base is the upright with no pulley at the top.

3. Look at Figure A. You will see the location of the “Tensioning Knob” E on each upright. For shipping purposes, the knob is not installed. In its place you will find a ½” hex bolt. Loosen and remove this hex bolt. Remember, the uprights have an internal spring. Exercise caution when removing bolt, silver slide tube may extend outward rapidly.

4. Wrap (1) D-Ring Strap around the Winch Base upright post. Orient strap so D-Ring faces in toward playing court.

5. Wrap (1) D-Ring Strap around the End Base upright post. Orient strap so D-Ring faces in toward playing court.

6. Screw in Tensioning Knobs into the threaded hole in each upright vacated by the shipping bolt in step 3.

7. Using the hardware provided with the Winch Assembly F, clamp the Winch Assembly to the Winch Base Post approximately 55” up from the playing surface as shown in Figure A.

8. Using the 5/16” Flat Washer, Lock Washer and Hex Nut provided, attach the Welded Eye-Bolt to the top of the End Base Post as shown in Figure A.

**PRIMARY ASSEMBLY IS COMPLETE. FOLLOW INSTRUCTIONS BELOW FOR NET ATTACHMENT, NET HEIGHT LABEL APPLICATION AND NET HEIGHT ADJUSTMENT. REMEMBER TO INSTALL POST PADS AND BASE PADS AFTER NET INSTALLATION.**

## **NET ATTACHEMENT**

1. Loosen Post Tensioning Knobs and telescope silver tubes down to approximately 7' from the floor.
2. Unpack Competition Volleyball Net G. Lay net out flat on the floor. Slide wooden dowels provided into the side pockets of net. Notice that the ropes are different lengths. The TOP of the net is the side with the SHORTER rope, called the TOP ROPE. Your TOP ROPE should have a loop at each end. The BOTTOM ROPE should be longer than the top and should have only one loop.
3. Attach (2) Carabiner Clips to the end of the net that has a loop at the top and at the bottom.
4. Next, using the Carabiner Clip, attach the TOP ROPE to the Eye-Bolt at the top of the End Base Post.
5. Drape the other end of the TOP ROPE over the Net Pulley at the top of the Winch Base Post. Extend the Winch Assembly strap and loosely connect it to the TOP ROPE.
6. Secure each D-Ring Strap tightly to both upright posts approximately 3" below bottom of net.
7. Attach looped end of the BOTTOM ROPE to the D-Ring on End Base Post using the Carabiner Clip.
8. Locate the Rope Tensioner N. Thread BOTTOM ROPE through Rope Tensioner as indicated on the tensioner's plastic casing, or see Figure B.
9. Attach Rope Tensioner/Bottom Rope to the D-Ring Strap on Winch Base Post as shown in Figure A.

## **HEIGHT ADJUSTMENT LABEL APPLICATION**

NOTE: Height labels are not factory installed to insure exact height regardless of surface conditions.

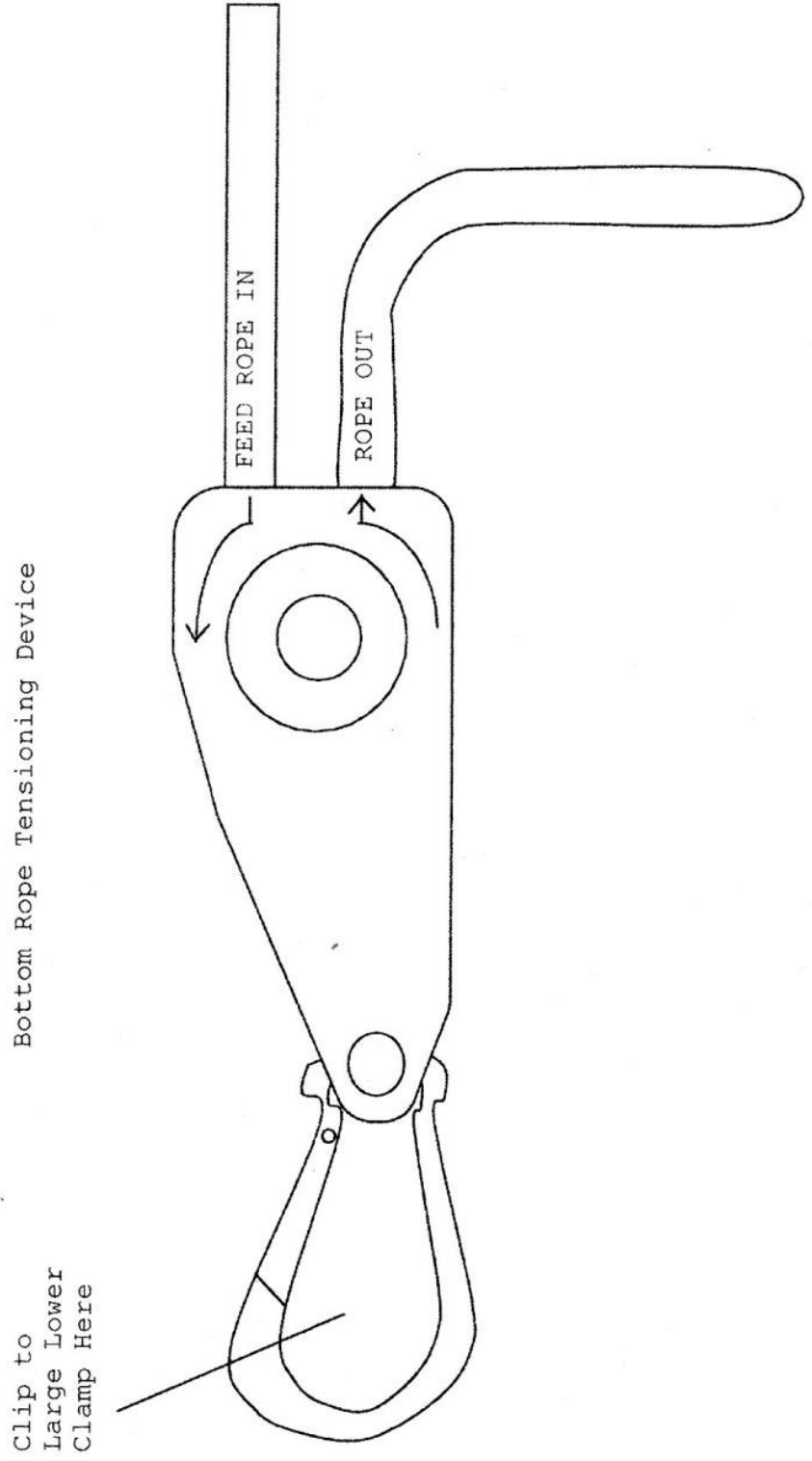
1. Loosen the tensioning knobs on each post and raise net so the when the winch is tightened the net height at the middle of the net is 7' 4-1/8" (official women's height). The net should be no more than 3/4" higher on the ends over the side court line.
2. Use a pencil to mark both inner silver telescoping poles just above the top of the main upright post with net set at 7' 4-1/8" height.
3. Loosen net tension and remove net.
4. Loosen the tensioning knobs on the posts once again and raise the inner silver slide tubes to maximum height and tighten knobs.
5. Apply self-adhesive Height Labels Q to the groove in the inner pole so that the 7' 4-1/8" mark on the label is lined up with the pencil mark.

## **NET HEIGHT ADJUSTMENT**

1. Starting with a loose top net rope, loosen the Tensioning Knobs on the post and adjust the silver slide tubes to the desired height as indicated on the height label.. Tighten tensioning knobs.
2. Adjust the D-Ring Straps to approximately 2"-3" below where the bottom of the net will be, then attach bottom rope to D-Rings.
3. Crank top rope tight with the winch, then pull bottom rope tight through the rope tensioning device.
4. Attach Net Tensioners (75 lbs. load) R around the pole and hook ends together, ten even out net between poles and apply desired tension.

# Horizon Portable Volleyball Systems Assembly Instructions

**FIGURE B**



# Volleyball Court Diagram

Net Height  
7' 11 5/8" Men  
7' 4 1/8" Women

