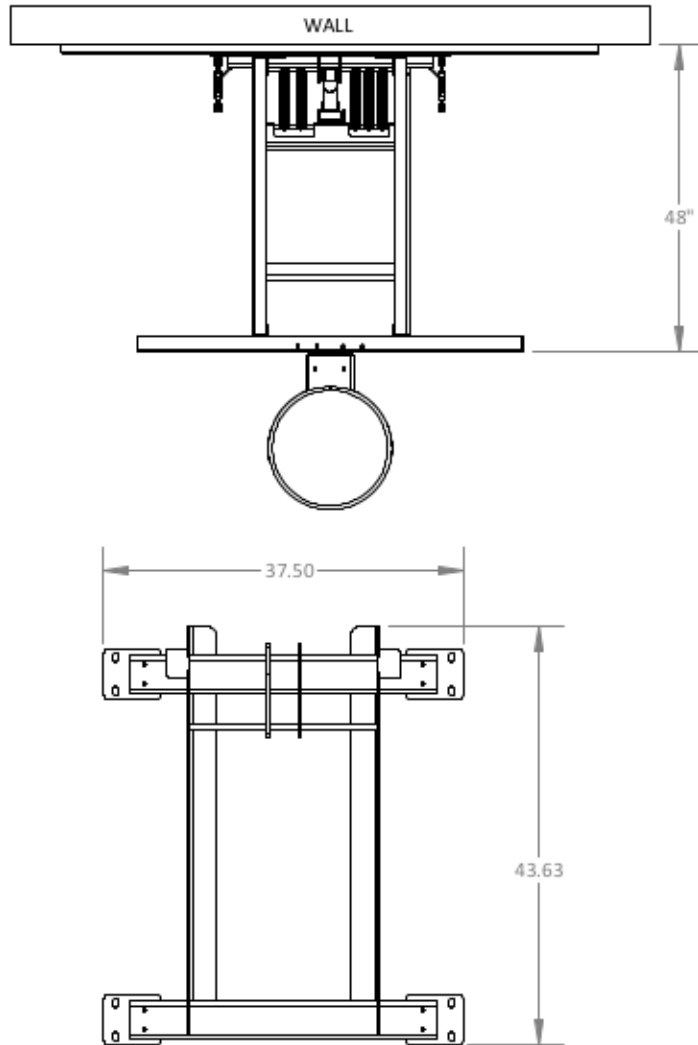


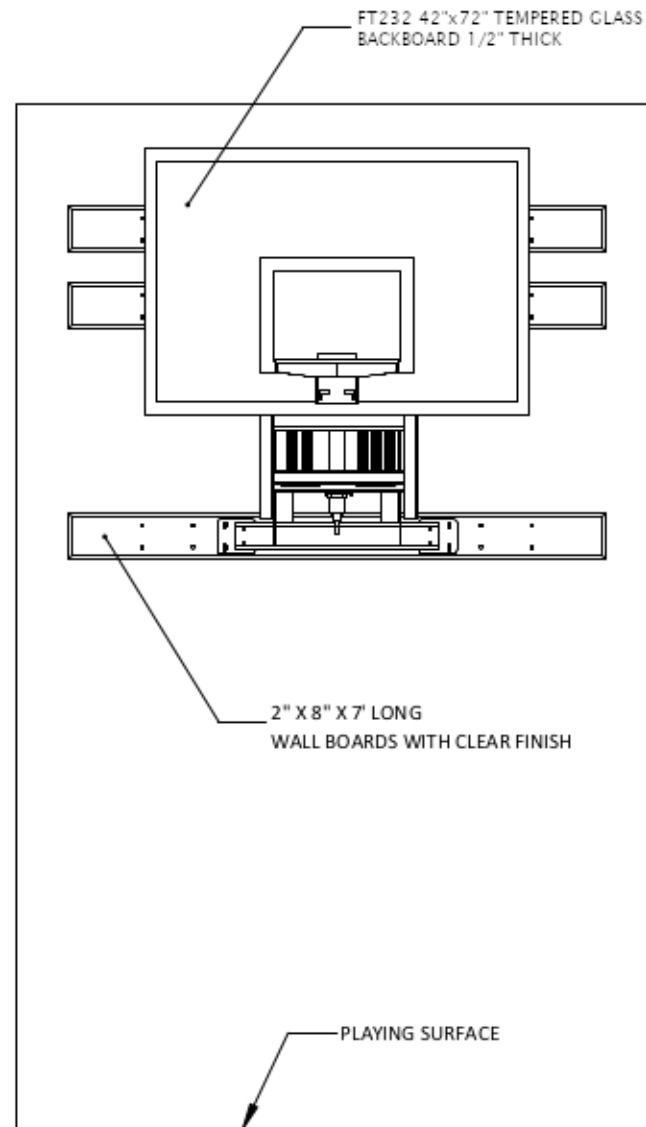
FIRST TEAM SPORTS INC.
HUTCHINSON, KS 67501
1-800-649-3688
www.firstteaminc.com

WALLMONSTER ARENA
PRODUCT SUBMITTAL
48" OVERHANG INSTALLATION
SCROLL DOWN FOR 36" OVERHANG INSTALLATION

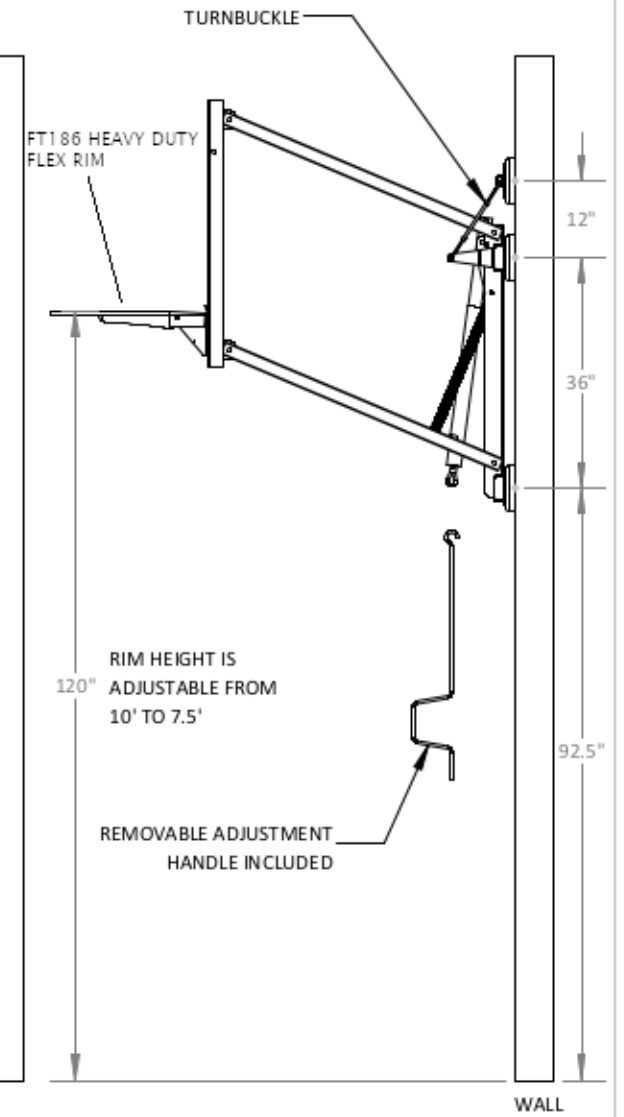
TOP VIEW



FRONT VIEW



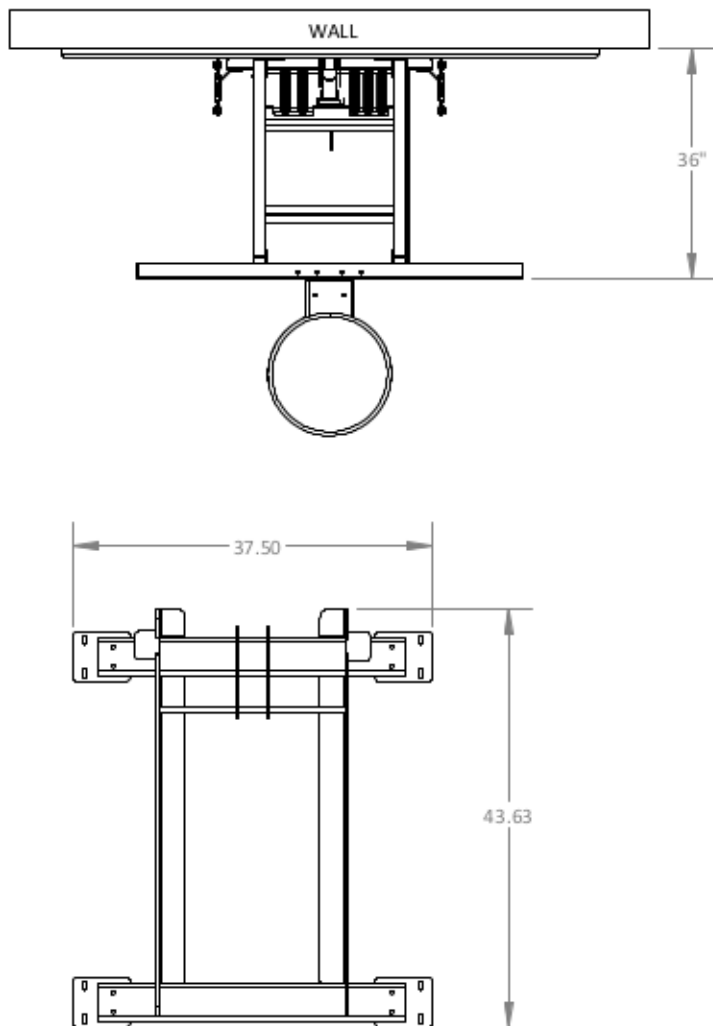
SIDE VIEW



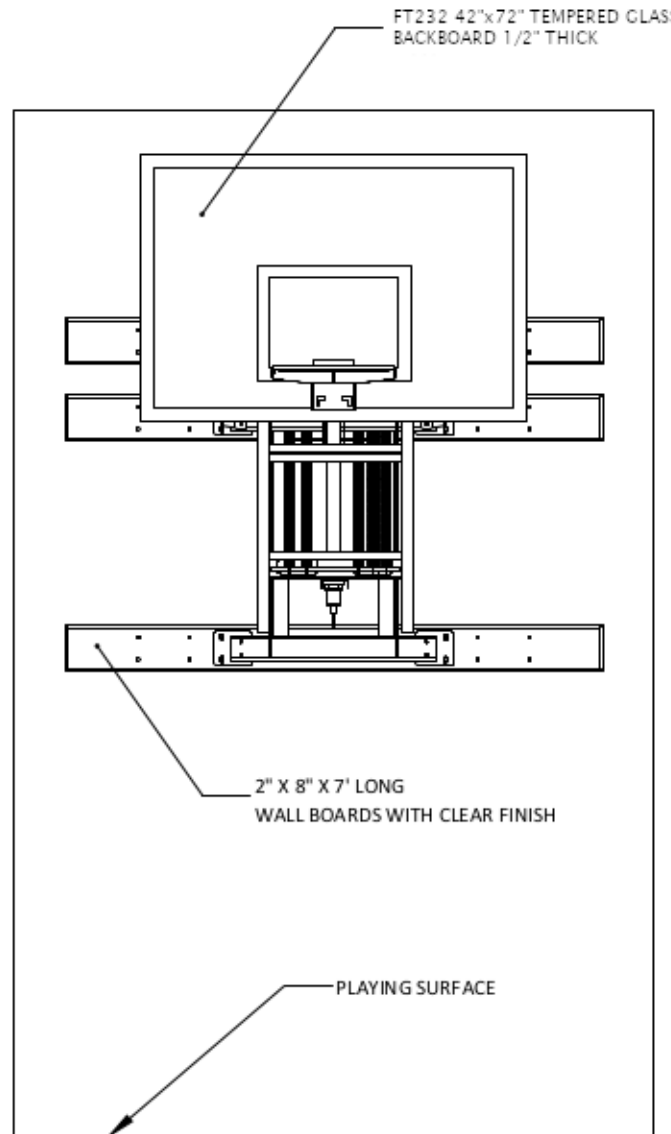
FIRST TEAM SPORTS INC.
HUTCHINSON, KS 67501
1-800-649-3688
www.firstteaminc.com

WALLMONSTER ARENA
PRODUCT SUBMITTAL
36" OVERHANG INSTALLATION

TOP VIEW



FRONT VIEW



SIDE VIEW

